

KK*P-*F, S-Couplers, Female Thread

KK6P-04F

Datasheet

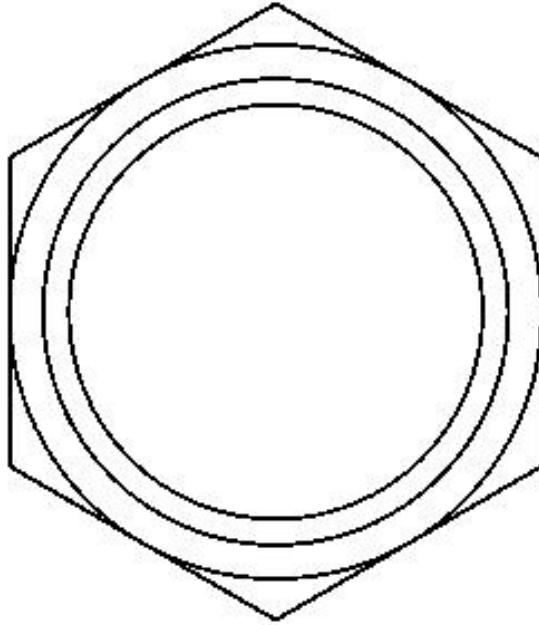
General series information

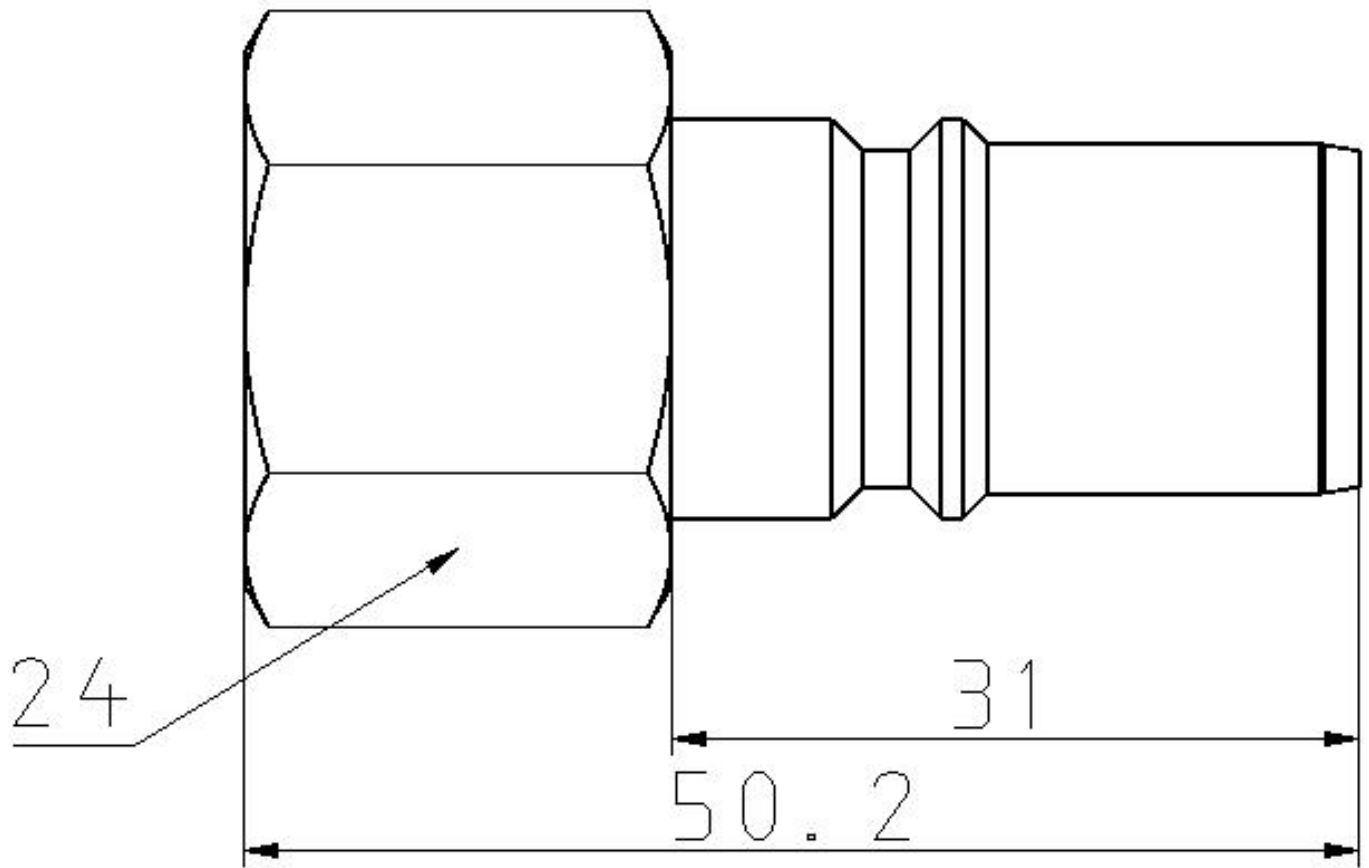
- Female Thread.
- Body size: M5, 1/8, 1/4, 1/2.
- Applicable Port Size: M5, Rc1/8, Rc1/4, Rc3/8, Rc1/2.

Standard specifications

Body Size	6 (1/2)
Piping Port Size	Rc 1/2
Pressure medium	Air, Water
Maximum operating pressure	1.0 MPa
Minimum operating pressure	0 kPa
Proof pressure	1.5 MPa
Maximum ambient temperature	60 °C / 40 °C for Water
Minimum ambient temperature	-5 °C (with no freezing) / 5 °C for Water
Effective Area	82 mm ²
Sealing principle	Electroless nickel plated (copper-free application), With male thread sealant
Weight	0.043 Kg

Dimensions





Additional information

Catalogue

[KK-C_EU.pdf](#)