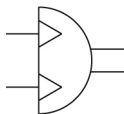


MSQB1-7, Rotary Table Rack & Pinion Type MSQB2AE

Datasheet

General series information

- Compact rotary table, rack-and pinion type
- Sizes: 1, 2, 3, 7
- Universal mounting style
- Wiring and piping can be selected according to mounting conditions
- Angle adjustment range: 0 to 190



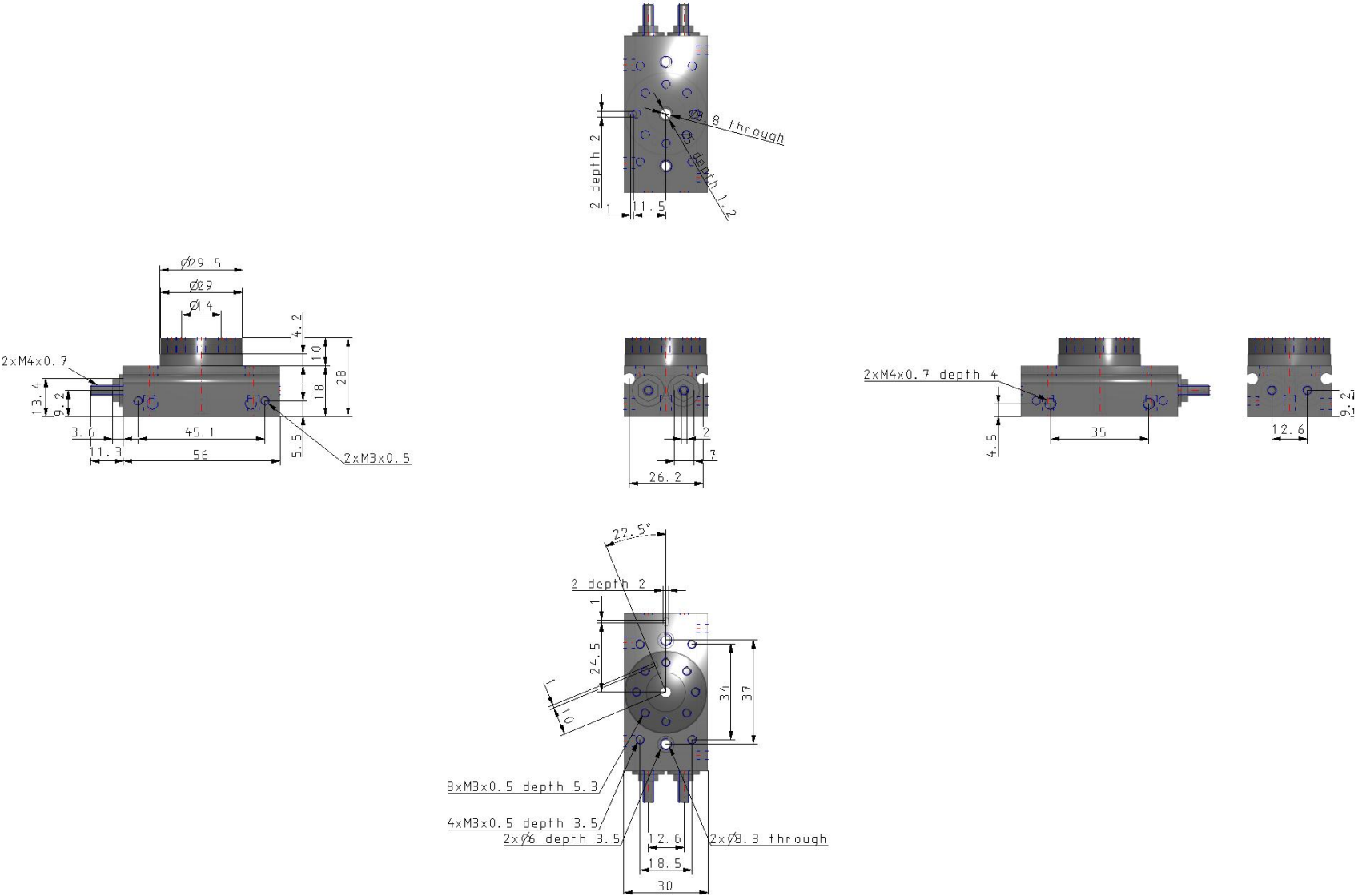
Semi-rotary actuator, double acting

Standard specifications

| | |
|--|---|
| Clean Series | None |
| Model | MSQ |
| Type | B (Basic Type) |
| Size | 2 |
| Port Location | E (Front Port) |
| Auto Switch | No Switch |
| Lead Wire or Prewired Connector | 0.5m [Or None in the Case of No Switch] |
| Number | 2 pcs. (Or None in the Case of No Switch) |
| Pressure medium | Compressed air (non-lube) |
| Maximum temperature of pressure medium | 60 °C |
| Minimum temperature of pressure medium | 0 °C |
| Maximum operating pressure | 0.7 MPa |
| Minimum operating pressure | 0.1 MPa |
| Maximum ambient temperature | 60 °C |
| Minimum ambient temperature | 0 °C |
| Number of pneumatic connections | 4 pcs. |
| Pneumatic input connection | M3 |
| Mode of operation of drive | Double acting |

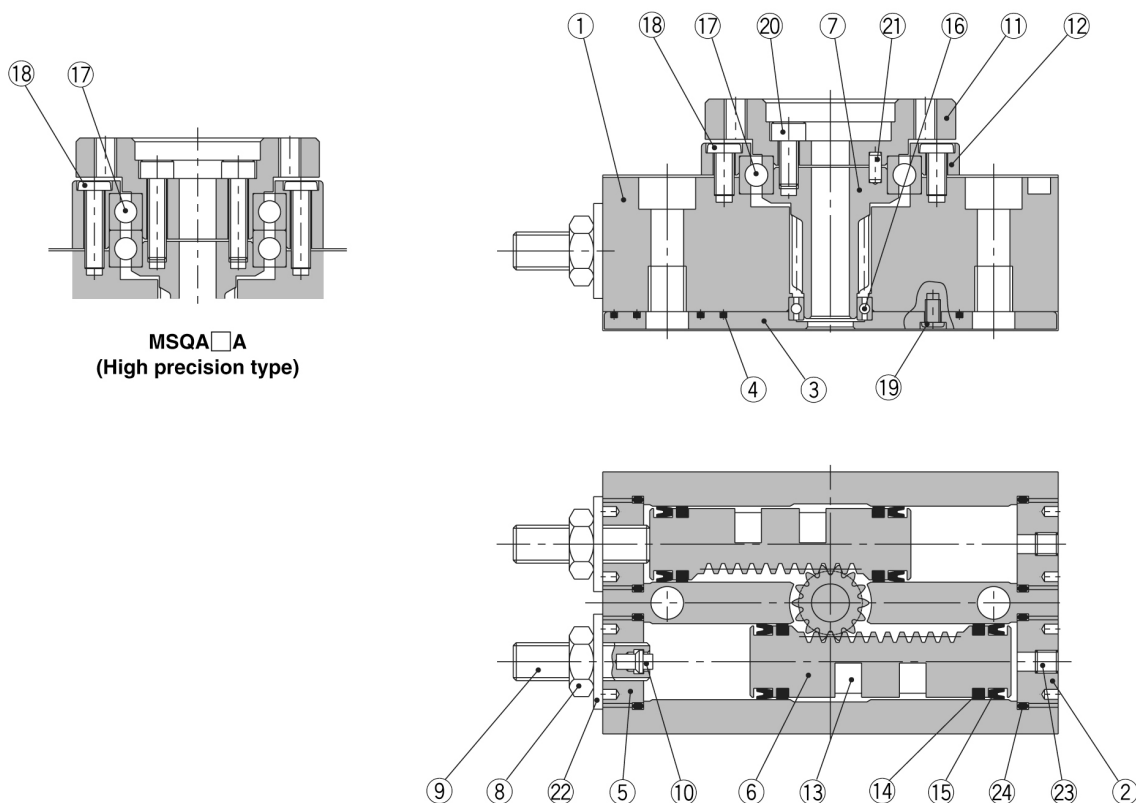
| | |
|--------|------------|
| - | 0° to 190° |
| Weight | 0.107 Kg |

Dimensions



Specifications are subject to change without prior notice and any obligation on the part of the manufacturer.

Constructions



MSQA□A
(High precision type)

Component parts

| No. | Description | Material |
|-----|------------------|-------------------------------|
| 1 | Body | Aluminium alloy |
| 2 | Cover | Aluminium alloy |
| 3 | Plate | Aluminium alloy |
| 4 | Seal | NBR |
| 5 | End cover | Aluminium alloy |
| 6 | Piston | Stainless steel |
| 7 | Pinion | Chrome molybdenum steel |
| 8 | Hexagon nut | Steel wire |
| 9 | Adjustment bolt | Steel wire |
| 10 | Cushion pad | Size: 3, 7 Rubber material |
| 11 | Table | Aluminium alloy |
| 12 | Bearing retainer | Aluminium alloy |
| 13 | Magnet | Magnetic material |
| 14 | Wear ring | Resin |

| No. | Description | Material |
|-----|-------------------------------|----------------------------|
| 15 | Piston seal | NBR |
| 16 | Deep groove ball bearing | Bearing steel |
| 17 | Basic type | Deep groove ball bearing |
| | High precision type | Special bearing |
| 18 | Round head Philips screw No.0 | Basic type Size: 1 to 3 |
| | Round head Philips screw | |
| | Round head Philips screw | High precision type |
| 19 | Round head Philips screw No.0 | Steel wire |
| 20 | Hexagon socket head set bolt | Stainless steel |
| 21 | Parallel pin | Carbon steel |
| 22 | Seal washer | NBR |
| 23 | Hexagon socket head set screw | Stainless steel |
| 24 | O-ring | NBR |

*23 The hexagon socket head set screws are tightened at different positions depending on the position of the connecting port.

Additional information

Catalogue

[MSQ_EU.pdf](#)

Operation manuals

[OM_MSQB_OM0002EN-A.pdf](#)