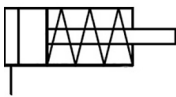


## C(D)85-S/T, ISO Cylinder, Single Acting, Single Rod C85N10-10S

Datasheet

### General series information

- Single acting, single rod, spring return/spring extend
- Conforms to ISO standard 6432
- Bore sizes (mm): 8, 10, 12, 16, 20, 25
- Standard strokes up to 150mm
- Auto switch capable



Single-acting cylinder, single piston rod, return stroke by spring

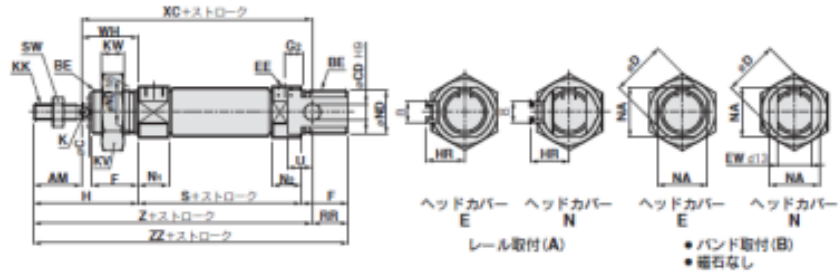
### Standard specifications

Magnet	None
Mounting	N (Basic Integrated Clevis)
Bore Size	Ø10 mm
Stroke	10
Action	S (Spring Return)
Switch Mounting	None
Auto Switch	No Switch
Lead Wire or Prewired Connector	0.5m (Or None in the Case of No Switch)
Number	2 pcs. (Or None in the Case of No Switch)
Rod End Options	None
Made of Stainless Steel	None
Pressure medium	Compressed air
Maximum temperature of pressure medium	80°C
Minimum temperature of pressure medium	-20°C
Maximum operating pressure	1 MPa
Minimum operating pressure	0.18 Mpa
Proof pressure	1.5 MPa
Maximum ambient temperature	80°C

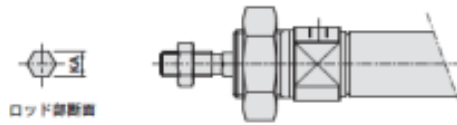
Minimum ambient temperature	-20°C
Number of pneumatic connections	1 pc.
Pneumatic input connection	M5
Pneumatic output connection	M5
Mode of operation of drive single	Single acting, spring return
Maximum piston speed	1500 mm/s
Type of cushioning	Rubber bumper
Piston rod end	External thread
Geometric form of the piston rod	Single rod
Male thread of rod end	M4
Weight	0.047 Kg

# Dimensions

単動・押し出し  
 C□85<sup>2</sup> [チューブ内径]—[ストローク] S—□  
 磁石なし/磁石内蔵



C□85KN, C□85KE  
 ロッド回り止め形



### 寸法表

		(mm)																						
チューブ内径	AM	BE	C	CD	D	EE	EW	F	Gz	H	HR	K	KA	KK	KV	KW	N <sub>1</sub>	N <sub>2</sub>	NA	ND	RR	SW	U	WH
8	12	M12×1.25	4	4	16.7	M5×0.8	8	12	5	28	10	—	4.2	M4×0.7	19	6	5.5	9.5	15	12	10	7	6	16
10	12	M12×1.25	4	4	16.7	M5×0.8	8	12	5	28	10.5	—	4.2	M4×0.7	19	6	5.5	9.5	15	12	10	7	6	16
12	16	M16×1.5	6	6	19.7	M5×0.8	12	17	6	38	14	5	6.2	M5×1	24	8	5.5	10.5	18.3	16	14	10	9	22
16	16	M16×1.5	6	6	19.7	M5×0.8	12	17	6	38	14	5	6.2	M5×1	24	8	5.5	10.5	18.3	16	13	10	9	22
20	20	M22×1.5	8	8	28	G1/8	16	20	8	44	17	6	8.2	M8×1.25	32	11	15	15	24	22	11	13	12	24
25	22	M22×1.5	10	8	33.5	G1/8	16	22	8	50	20	8	10.2	M10×1.25	32	11	15	15	30	22	11	17	12	28

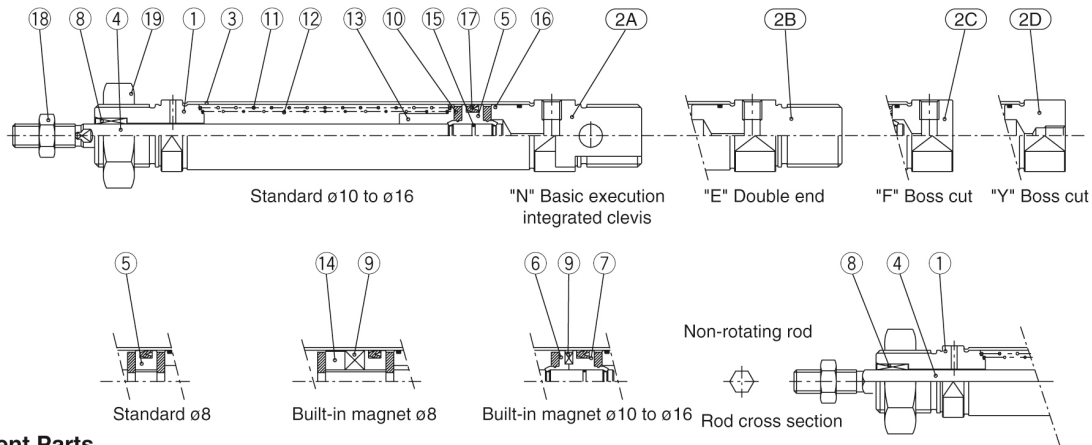
  

チューブ内径	S			XC			Z			ZZ		
	1-50	51-100	101-150	1-50	51-100	101-150	1-50	51-100	101-150	1-50	51-100	101-150
8	46.52(46.62)	—	—	56.70(47.80)	—	—	75.82(46.30)	—	—	86.92(46.02)	—	—
10	46.50(46.60)	—	—	56.68(47.78)	—	—	75.80(46.30)	—	—	86.90(46.00)	—	—
12	50(53.5)	—	—	75(78.5)	—	—	91(94.5)	—	—	105(108.5)	—	—
16	55(59.5)	71.5(75)	87(90.5)	82(85.5)	97.5(101)	113(116.5)	96(101.5)	113.5(117)	129(132.5)	111(114.5)	128.5(130)	142(145.5)
20	62(67)	112	137	96(120)	145	170	115(140)	165	190	126(151)	176	201
25	65(88.5)	113.5	138.5	104(127.5)	152.5	177.5	126(149.5)	174.5	199.5	137(160.5)	185.5	210.5

( )内はオートスイッチ付の場合。( )内はロッド回り止め形の場合。

## Constructions

### Single acting: Single rod Spring return/C□85□8 to 16-□S (Disassembly is not possible)



#### Component Parts

No.	Description	Material	Quantity	Remarks
①	Rod cover	Aluminum alloy	1	White anodized
②A	Head cover N	Aluminum alloy	1	White anodized
②B	Head cover E	Aluminum alloy	1	White anodized
②C	Head cover F	Aluminum alloy	1	White anodized
②D	Head cover Y	Aluminum alloy	1	White anodized
③	Cylinder tube	Stainless steel	1	
④	Piston rod	Stainless steel	1	
⑤	Piston	Brass	1	
⑥	Piston A	Brass	1	(Switch style only)
⑦	Piston B	Brass	1	(Switch style only)
⑧	Bushing	Sintered bronze	1	

No.	Description	Material	Quantity	Remarks
⑨	Magnet		1	(Switch style only)
⑩	Bumper	Urethane	2	
⑪	Return spring A	Piano wire	1	
⑫	Return spring B	Piano wire	1	
⑬	Spring guide	Brass	1	
⑭	Spacer	Brass	1	
⑮	Piston gasket	NBR	1	
⑯	Tube gasket	NBR	1	
⑰	Piston seal	NBR	1	
⑱	Rod end nut	Carbon steel	1	Nickel plated
⑲	Mounting nut	Carbon steel	1	Nickel plated

## Additional information

Catalogue

[C85\\_C75-A\\_EU.pdf](#)