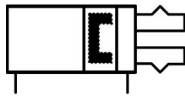


Original design - MHL2 MHL2-10D1

Datasheet

General series information

- Maximum gripping force per finger 396 N at 0.5 MPa
- Double acting
- Repeatability: ± 0.1 mm
- Max. operating frequency: 60 c.p.m.

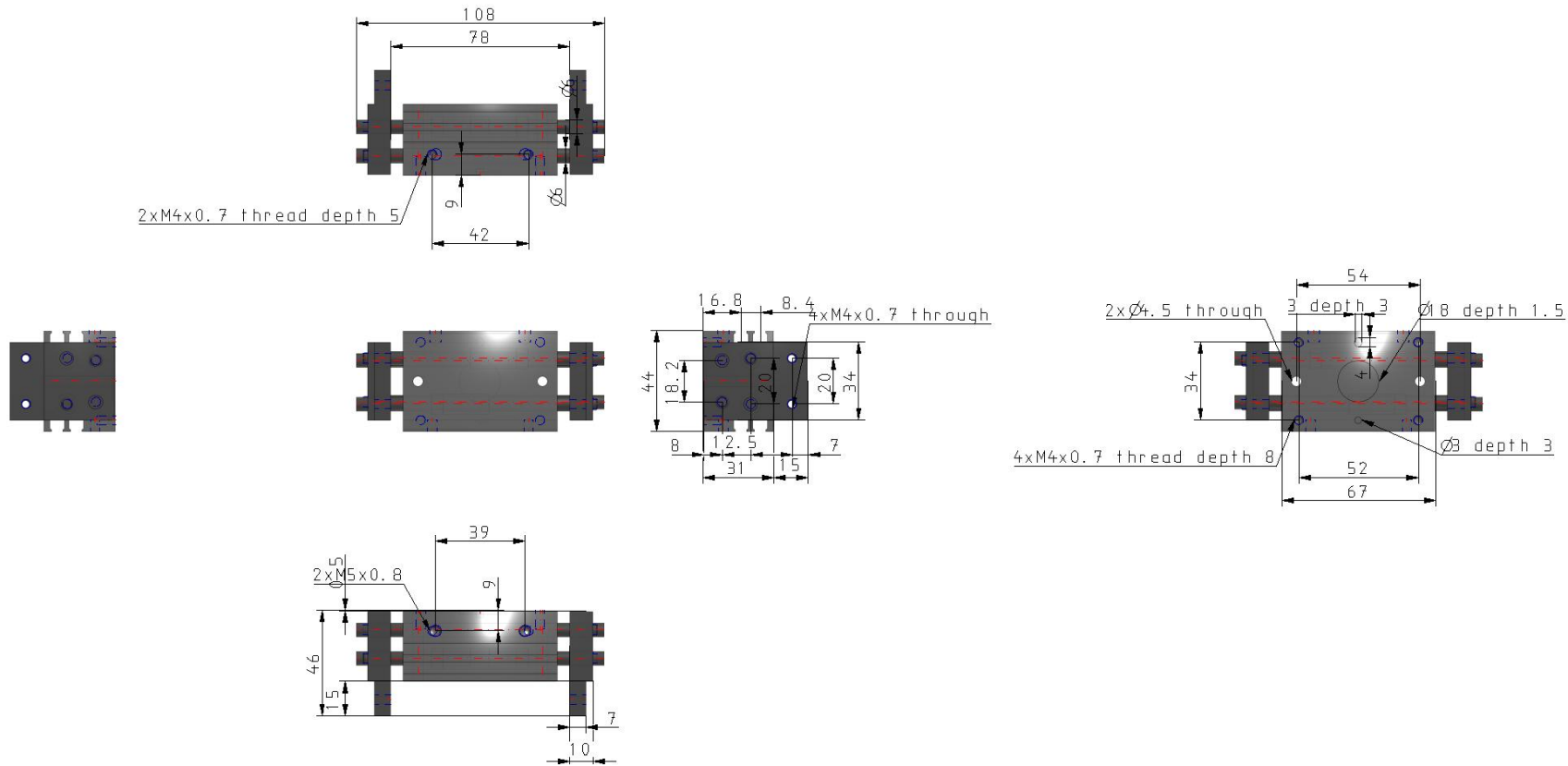


Gripper, internal grip, double-acting with permanent magnet on piston

Standard specifications

Bore Size	10mm
Thread	(M5 Thread-10~25mm)(Rc-32~40mm)
Opening & Closing Stroke	1 (Wide Opening)
Auto Switch	No Switch
Lead Wire or Prewired Connector	0.5m (Or None in the Case of No Switch)
Number	2 pcs. (Or None in the Case of No Switch)
Maximum operating pressure	0.6 MPa
Minimum operating pressure	0.15 Mpa
Maximum ambient temperature	60 °C
Minimum ambient temperature	-10 °C
Repeatability	± 0.1 mm
Lubrication	Not required
Effective holding force per finger (0.5 MPa)	14 N
Fluid	Air
Max. operating frequency	40 c.p.m.
Action	Double Acting
Gripping point distance	40 mm

Dimensions



Specifications are subject to change without prior notice and any obligation on the part of the manufacturer.

Additional information

Catalogue

[MHL2_EU.pdf](#)

Operation manuals

[OM_MHL2_OMC0028EN.pdf](#)