

## Elbow - AS\*2\*1F-A AS3201F-03-10SA

### Datasheet

### General series information

- Port Size: M5, 10-32 UNF, 1/8, 1/4, 3/8, 1/2
- Applicable Tubing O.D.: Ø 2 to Ø 16 mm and Ø 1/8" to Ø 1/2"
- Operating Pressure Range: 0.1 to 1 MPa.



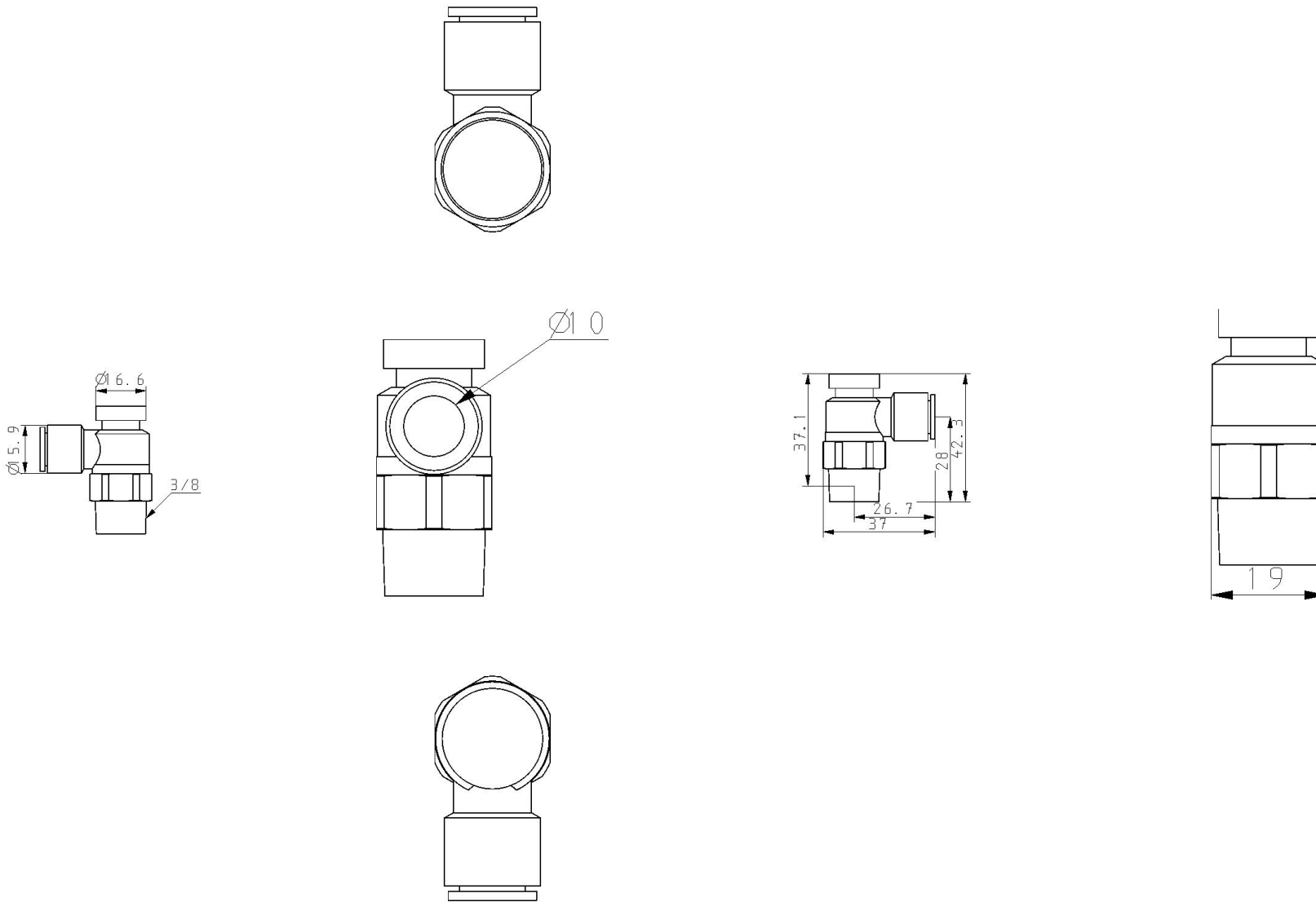
Flow control valve, adjustable, with reverse free flow

### Standard specifications

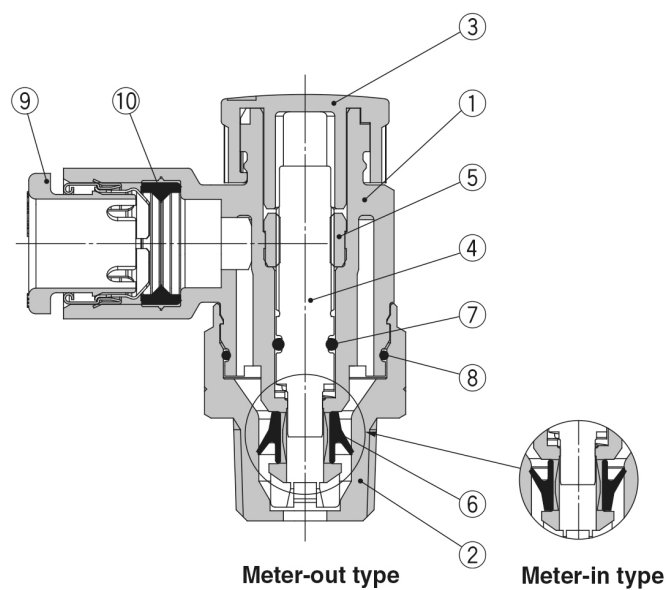
|  |  |
|--|--|
| Clean Series                               | None                                     |
| Body Size                                  | 3 (3/8)                                  |
| Type                                       | 2 (Elbow)                                |
| Control Type                               | 0 (Meter-out)                            |
| Thread Type                                | R or Metric                              |
| Port Size                                  | 03 (3/8)                                 |
| Across Flat [H]                            | Body Size 1: 9mm; Body Size 2, 3, 4 None |
| Applicable Tubing O.D.                     | Ø10                                      |
| Seal                                       | S (w/Sealant)                            |
| Made to Order                              | None                                     |
| Pressure medium                            | Compressed air                           |
| Maximum temperature of pressure medium     | 60 °C                                    |
| Minimum temperature of pressure medium     | -5 °C                                    |
| Maximum operating pressure                 | 1 MPa                                    |
| Minimum operating pressure                 | 0.1 MPa                                  |
| Proof pressure                             | 1.5 MPa                                  |
| Maximum ambient temperature                | 60 °C                                    |
| Minimum ambient temperature                | -5 °C                                    |
| Critical pressure ratio                    | 0.3                                      |
| Sonic conductance dm <sup>3</sup> /(s·bar) | 3.3                                      |

|                            |          |
|----------------------------|----------|
| Number of needle rotations | 10       |
| Weight                     | 0.032 Kg |

# Dimensions



## Constructions



### Component Parts

| No. | Description  | Material | Note                       |
|-----|--------------|----------|----------------------------|
| 1   | Body A       | PBT      |                            |
| 2   | Body B       | Brass    | Electroless nickel plating |
| 3   | Knob         | POM      |                            |
| 4   | Needle       | PBT      |                            |
| 5   | Needle guide | Brass    | Electroless nickel plating |
| 6   | U-seal       | HNBR     |                            |
| 7   | O-ring       | NBR      |                            |
| 8   | O-ring       | NBR      |                            |
| 9   | Cassette     | —        |                            |
| 10  | Seal         | NBR      |                            |

## Additional information

Catalogue

[AS-1F\\_FG-A-Dd\\_EU.pdf](#)