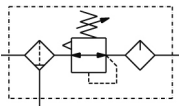


## AC20A-D to AC60A-D Filter Regulator + Lubricator AC30A-F03G-D

Datasheet

### General series information

- ISO 8573-1:2010 compliant
- Port Size: 1/8, 1/4, 3/8, 1/2, 3/4, 1
- Body size: 20, 30, 40, 50, 60.



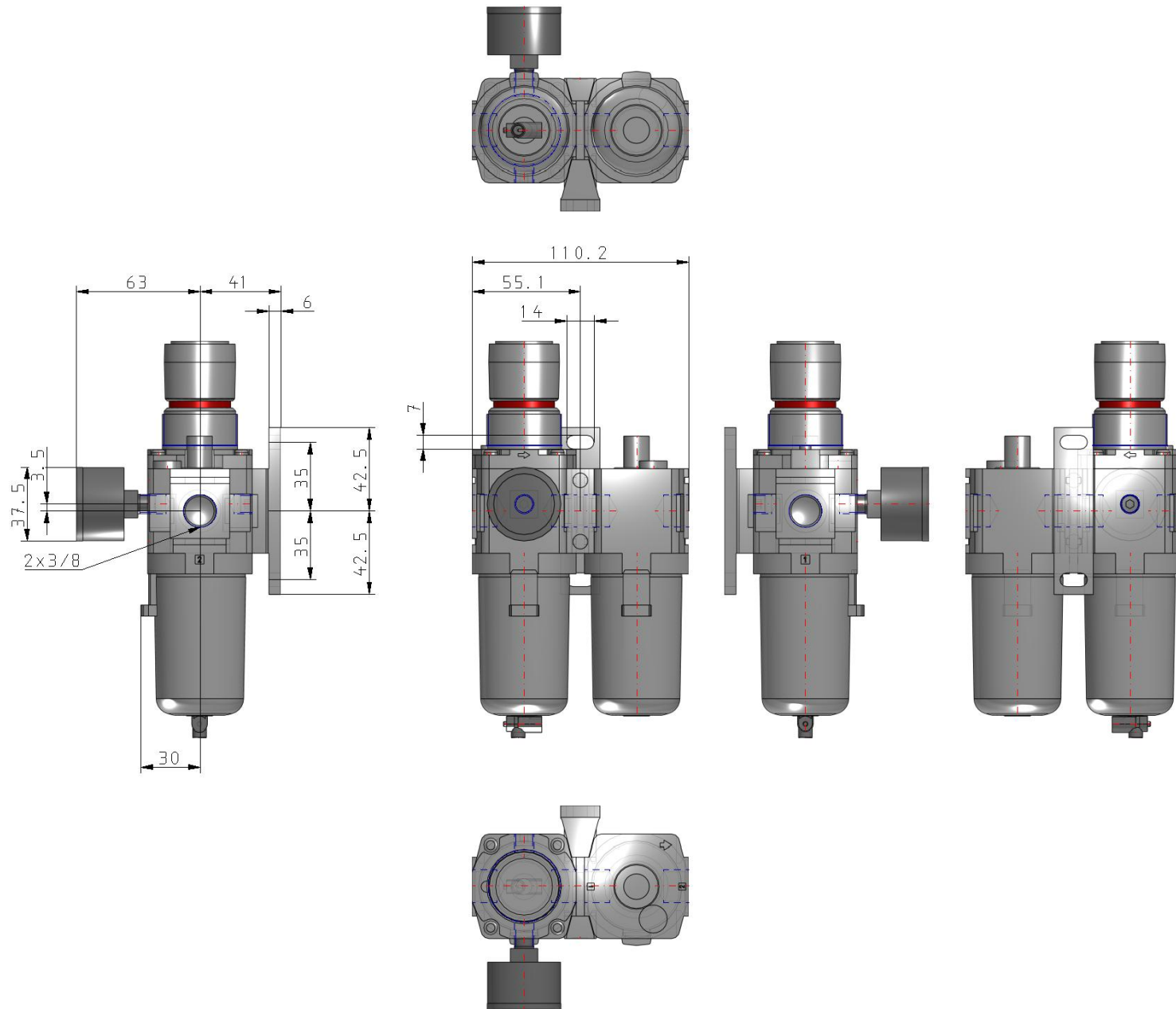
Air combination. Air filter, regulator and Lubricator

### Standard specifications

|   |  |
|---|--|
| Body Size                               | 30   |
| Thread                                  | F (G)  |
| Port                                    | 03 (3/8)   |
| Float type auto drain                   | Without Auto drain   |
| Pressure gauge /Digital pressure switch | G (Round Pressure Gauge w/Limit Indicator)                             |
| Residual Pressure Relief 3 Port Valve   | Without  |
| Set pressure                            | Standard (0.05 to 0.85 MPa)  |
| Bowl type +Drain Cock for Lubricator    | Standard (Polycarbonate Bowl + Lubricator without Drain Cock)          |
| Filter Regulator Drain Port             | Standard   |
| Exhaust Mechanism                       | Relieving  |
| Flow Direction                          | Standard (Flow Direction: Left->Right)                                 |
| Drain Cock w/Barb Fitting               | Without Barb Fitting   |
| Pressure Units                          | Standard (Name Plate, Caution Plate for Bowl, and Pressure Gauge: MPa) |
| Pressure medium                         | Air  |
| Maximum temperature of pressure medium  | 60 °C  |
| Minimum temperature of pressure medium  | -5 °C (with no freezing)   |
| Maximum operating pressure              | 1.0 MPa  |
| Proof pressure                          | 1.5 MPa  |
| Maximum ambient temperature             | 60 °C  |

|   |                          |
|---|--------------------------|
| Minimum ambient temperature               | -5 °C (with no freezing) |
| Conform to the European RoHS Directive    | Conform                  |
| Approvals                                 | No need                  |
| Drain Capacity                            | 25 cm <sup>3</sup>       |
| Oil capacity                              | 55 cm <sup>3</sup>       |
| Max. Flow rate (inlet pressure = 1.0 MPa) | 3500 l/min               |
| Weight                                    | 0.616 Kg                 |

# Dimensions



## Additional information

Catalogue

[ACD-D\\_EU.pdf](#)