

## Elbow - AS\*2\*1F AS2211F-01-08S

### Datasheet

### General series information

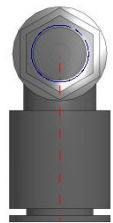
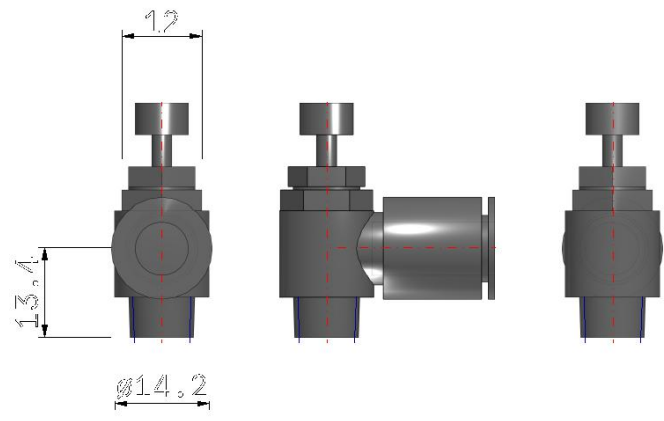
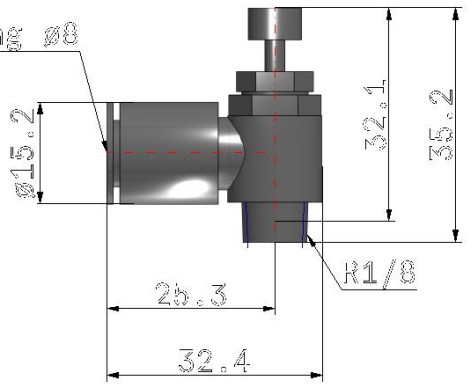
- Port Size: M3, M5, 10-32 UNF, 1/8, 1/4, 3/8, 1/2
- Applicable Tubing O.D.: Ø 2 to Ø 12 mm and Ø 1/8" to Ø 1/2"
- Operating Pressure Range: 0.1 to 1 MPa.

### Standard specifications

Size	2 (1/8, 1/4 Basis)
Style	2 (Elbow)
Control Method	1 (Meter-in)
Thread	M3, M5, U10/32, Rc
Port Size	01 (1/8)
Tube Size	Ø8
Option	S (Sealant)
Fixed Orifice	None
Made to Order	None
Lock Nut	Standard (Hexagon)
Weight	0.019 Kg

# Dimensions

Applicable tubing  $\varnothing 8$



## Additional information

Catalogue

[AS\\_2-3\\_1F-A\\_EU.pdf](#)

Operation manuals

[OM\\_ASx2x1F\\_OMG0107EN-B.pdf](#)