

VT307, 3 Port Direct Operated Poppet, All Types VT307-4DO1-02F-Q

Datasheet

- Wide variety of valve options .
- Low Power Consumption.
- Universal porting type.
- Same mounting dimensions as the current product in both types (body ported and for manifold type).
- Low concentration ozone resistant: HNBR rubber seal.
- RoHS and CE compliant.

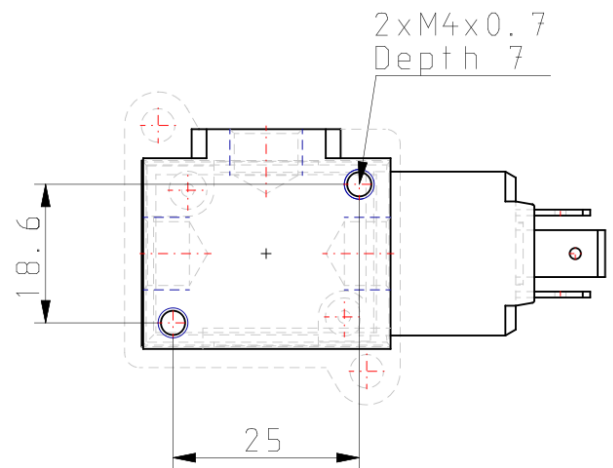
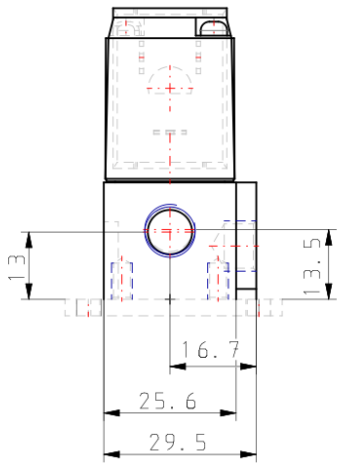
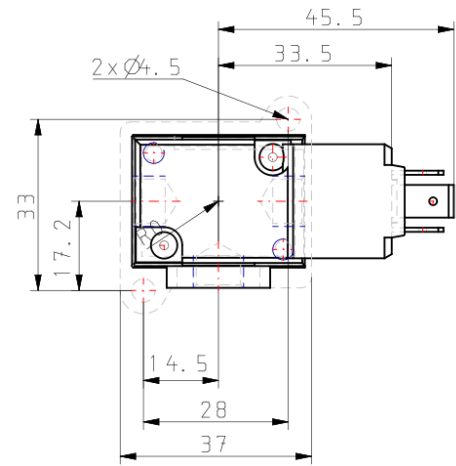
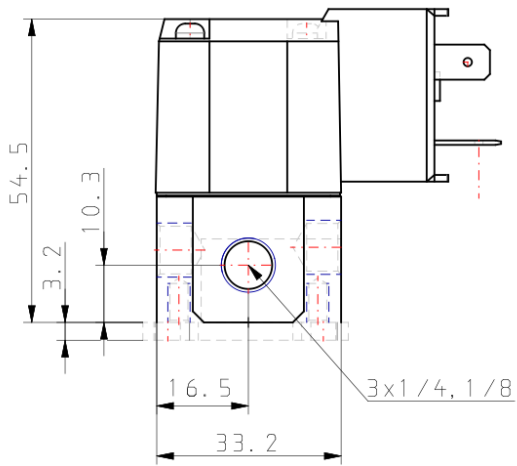
Standard specifications

Body	T (Body Ported)
Valve specification	Standard
Pressure specifications	Standard Type [0.7 MPa]
Rated Voltage	4 (220V AC 50/60Hz)
Electrical Entry	DO (DIN connector [without connector])
Indicator light and surge voltage suppressor	None
Port Size	02 (1/4 [8A])
Thread	Rc (PT [or None])
Option	F (With foot bracket)
CE Marked	Q (CE Marked)
Pressure medium	Air
Maximum temperature of pressure medium	50 °C
Minimum temperature of pressure medium	-10 °C (No freezing)
Maximum ambient temperature	50 °C
Minimum ambient temperature	-10 °C (No freezing)
Protection class with connector	Dustproof
Function in normal position	Closed
Type of piloting	Directly

Valve return	Mechanical spring
Sealing principle	Soft seal
Weight	0.170 Kg

Specifications are subject to change without prior notice and any obligation on the part of the manufacturer.

Dimensions



Additional information

Catalogue	VT_A_EU.pdf
Declaration of conformity	newDoC_VT307N_TF1Y176EN.pdf newDoC_New_VT307_TF1V163EN.pdf DoC_NewVT307_TFQ0001-A.pdf
Installation manuals	IM_VT307N_SMT19EN-B.pdf
Operation manuals	OM_NewVT307_OMQ0002EN-B.pdf