

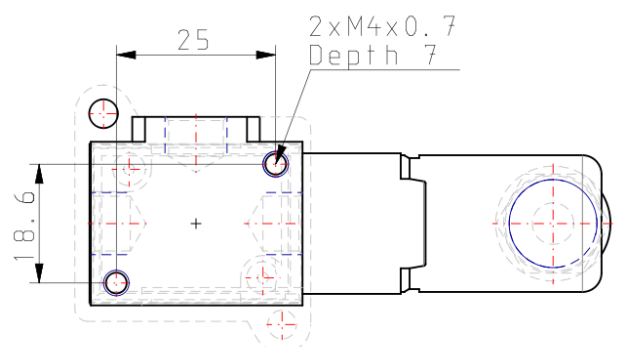
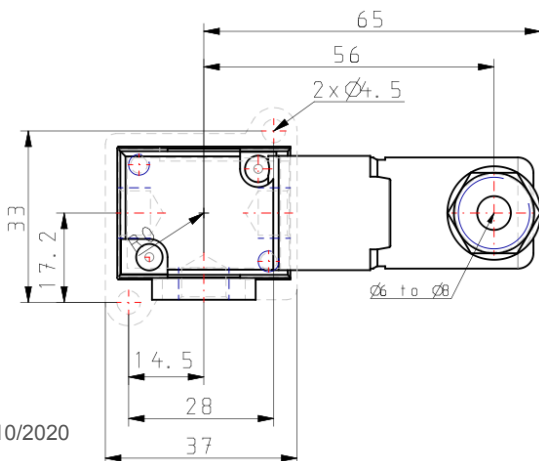
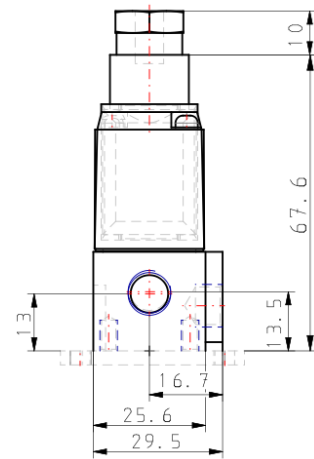
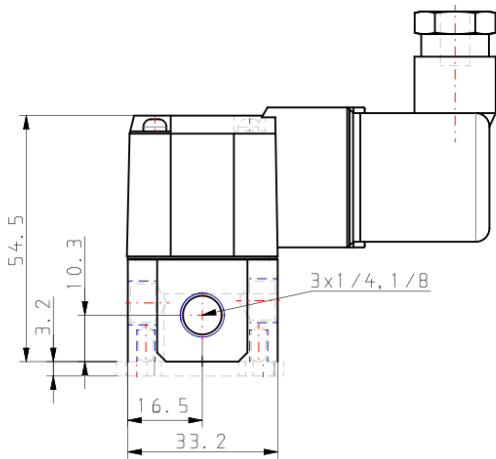
## VT307, 3 Port Direct Operated Poppet, All Types VT307E-5D1-01F-Q

Datasheet

Large Flow Capacity, yet Compact Size. Low Power Consumption. Suitable for Use in Vacuum Applications. 1 Valve, 6 Functions. (Universal Porting) Selective porting can provide 6 valve functions, such as N.C. valve, N.O. valve, Divider valve, Selector valve etc. Manifoldd valve can be easily converted from N.C. normally closed to N.O. normally open merely by turning over the switch cover.

Body	T (Body Ported)
Valve specification	E (Continuous Duty)
Pressure specifications	Standard Type [0.7 MPa]
Rated Voltage	5 (24V DC)
Electrical Entry	D (DIN connector [with connector])
Indicator light and surge voltage suppressor	None
Port Size	01 (1/8 [6A])
Thread	F (G [PF])
Option	None
Q	Q (CE Marked)
Pressure medium	Air
Maximum temperature of pressure medium	50 °C
Minimum temperature of pressure medium	-10 °C (No freezing)
Maximum ambient temperature	50 °C
Minimum ambient temperature	-10 °C (No freezing)
Conform to the European RoHS Directive	Conform
Protection class with connector	Dustproof
Function in normal position	Closed
Type of piloting	Directly
Valve return	Mechanical spring
Sealing principle	Soft seal
Weight	0.170 Kg

## Dimensions



## Additional information

Catalogue	<a href="#">VT_A_EU.pdf</a>
Declaration of conformity	<a href="#">doc_newvt307_tfq0001-a.pdf</a> <a href="#">newdoc_new_vt307_tf1v163en.pdf</a>
Installation manuals	<a href="#">im_vt307n_smt19en-b.pdf</a>
Operation manuals	<a href="#">om_newvt307_omq0002en-b.pdf</a>