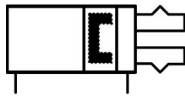


With Dust Cover - MHZJ2 MHZJ2-10D

Datasheet

General series information

- Maximum gripping force per finger 104 N at 0.5 MPa
- Double acting and single acting
- Repeatability: ± 0.01 mm
- Max. operating frequency: 120 c.p.m.



Gripper, internal grip, double-acting with permanent magnet on piston

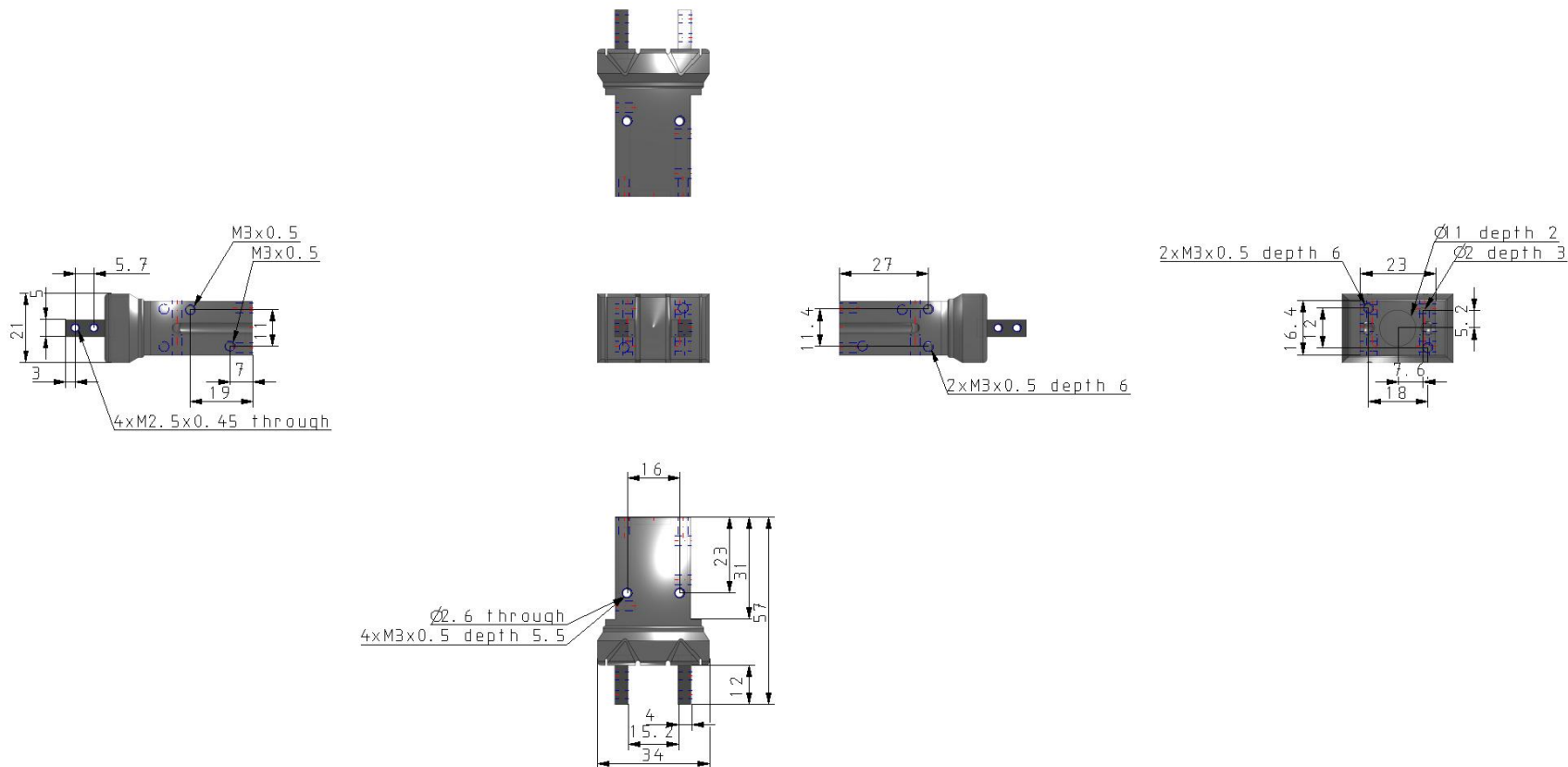
Standard specifications

Bore Size	10 mm
Action	D (Double Acting)
Body Option	Basic Style
Dust Cover	Chloroprene Rubber (CR)
Auto Switch	No Switch
Lead Wire or Prewired Connector	0.5m (Or None in the Case of No Switch)
Number	2 pcs. (Or None in the Case of No Switch)
Maximum operating pressure	0.7 MPa
Minimum operating pressure	0.2 MPa
Maximum ambient temperature	60 °C
Minimum ambient temperature	-10 °C
Repeatability	± 0.01 mm
Weight	60 g
Lubrication	Non-lube
Effective holding force per finger, external (0.5 MPa)	9.8 N
Effective holding force per finger, internal (0.5 MPa)	17 N
Fluid	Air
Max. operating frequency	180 c.p.m.
Stroke per gripper jaw	4 mm

Weight

0.060 Kg

Dimensions



Specifications are subject to change without prior notice and any obligation on the part of the manufacturer.

Additional information

Catalogue

[MHZ_EU.pdf](#)

Operation manuals

[OM_MHZ2_OMD0047EN-A.pdf](#)

[OM_MHZJ2_OMC0050EN-A.pdf](#)