

## AN05 to 40, Silencer, Compact Resin Type, Male Thread AN05-M5

### Datasheet

Series AN silencers offer various styles and low backpressure in a compact, easy mounting design. The high noise reduction style provides over 35dB(A) noise reduction and the case is UL94-V0 grade, flame resistant material. Series AN is available with R(PT) or NPT threads.

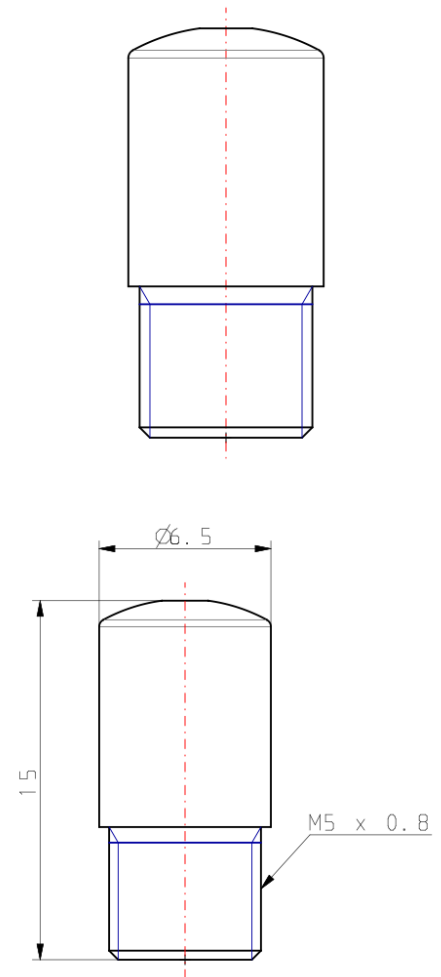
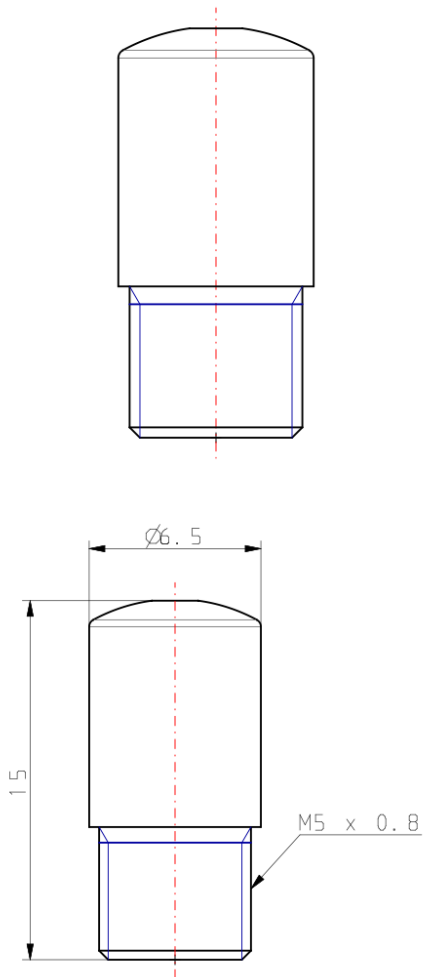


Silencer

### Standard specifications

Body Size	05
Thread Type	Rc or Metric
Thread Connection Port Size	M5 (M5 x 0.8)
Pressure medium	Compressed Air
Maximum ambient temperature	60 °C
Maximum ambient temperature with magnet	5 °C
Noise reduction	30 dB
Effective Area	5 mm <sup>2</sup>
Weight	0.001 Kg

### Dimensions



## Additional information

Catalogue

[AN-A\\_EU.pdf](#)