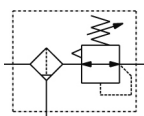


AW10-40-A, AW Filter/Regulator Combination AW30-F02-A

Datasheet

General series information

- Modular type filter regulator
- Integrated filter and regulator save space
- Requires less piping
- Optional embedded pressure gauge
- Available with built-in backflow mechanism
- Rc, G(PF) or NPT threads



Filter / Regulator Combination

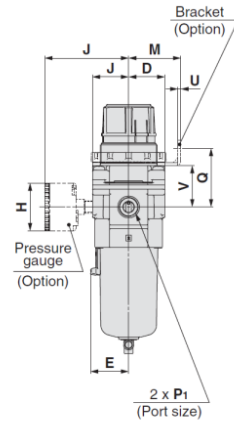
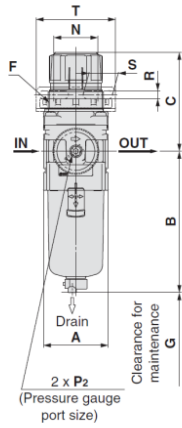
Standard specifications

Size	30
Thread	F (G)
Port Size	02 (1/4)
Accessory	None
Set pressure	0.05 to 0.7 MPa setting
Bowl	Polycarbonate Bowl
Drain port/Exhaust mechanism/Flow direction	None
Pressure Unit	Name Plate and Pressure Gauge: MPa
Made to Order	None
Pressure medium	Air
Maximum temperature of pressure medium	60 °C
Minimum temperature of pressure medium	-5 °C [with no freezing]
Maximum operating pressure	1.0 MPa
Proof pressure	1.5 MPa
Maximum ambient temperature	60 °C
Minimum ambient temperature	-5 °C [with no freezing]
Approvals	No need

Bowl Material	Polycarbonate
Bowl Guard	Standard (Polycarbonate)
Drain Capacity	25 cm ³
Element nominal filtration rating	5 µm
Weight	0.434 Kg

Specifications are subject to change without prior notice and any obligation on the part of the manufacturer.

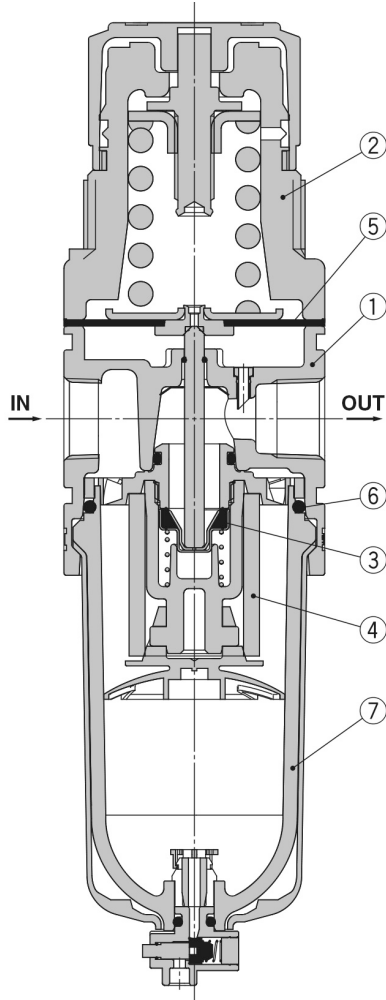
Dimensions



Constructions

Construction

AW30-A to AW40-06-A



Component Parts

No.	Description	Material	Model	Colour
1	Body	Zinc die-cast	AW10-A	White
		Aluminum die-cast	AW20-A to AW40-06-A	
2	Bonnet	Polyacetal	AW10-A to AW40-06-A	White

Replacement Parts

No.	Description	Material	Part no.		
			AW30-A	AW40-A	AW40-06-A
3	Valve assembly	Stainless steel, HNBR	AW32P-060AS	AW42P-060AS	
4	Filter element	Non-woven fabric	AF30P-060S	AF40P-060S	
5	Diaphragm assembly	Weatherable NBR	AR32P-150AS	AR42P-150AS	
6	Bowl seal	NBR	C32FP-260S	C42FP-260S	
7	Bowl assembly ^{Note 2)}	Polycarbonate	C3SF-A	C4SF-A	

Note 1) The AW10-A is a piston type. Assembly of a piston and a seal (KSYP-13).

Note 2) Bowl seal is included for the AW20-A to AW40-06-A. Please contact SMC regarding the supply of bowl assembly with psi and °F unit display specifications.

Additional information

Catalogue	AC-A-D_EU.pdf
Installation manuals	IM_AW_SMV11EN.pdf
Operation manuals	OM_AW-A_OMQ0007EN-A.pdf