

D-M9NV/M9PV/M9BV, Solid State Switch, Direct Mounting, Grommet, Perpendicular

D-M9PV

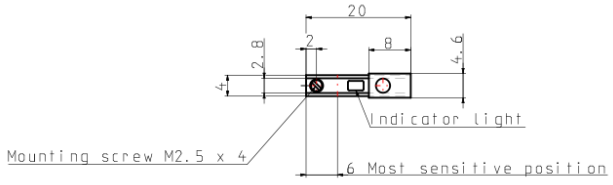
Datasheet

- Electrical entry: Grommet.
- Application Load: IC circuit/Relay/PLC, 24V DC Relay/PLC.
- Power voltage: 5/12/24V DC (4.5 to 28V DC).
- Load current: 5 to 40mA.

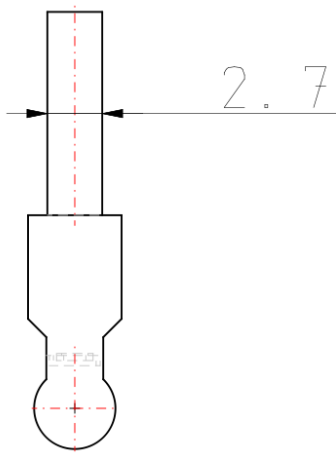
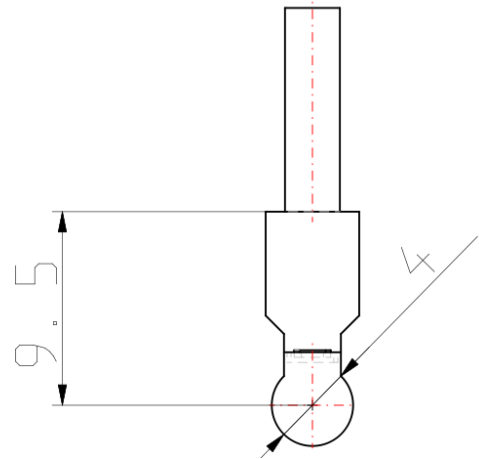
Standard specifications

Model	M9PV (3-wire, PNP)
Lead Wire Length	0.5 m
Maximum ambient temperature	60 °C
Minimum ambient temperature	-10 °C
General power supply	4.5 to 28 V DC
Approvals	CE;UL
Weight	0.008 Kg

Dimensions



Mounting screw M2.5 x 4



Additional information

Catalogue

[D_EU.pdf](#)

Operation manuals

[OM_D-M9xx_OMJ0004EN-F.pdf](#)
[OM_D-M9xJx_OMS0002EN-B.pdf](#)
[OM_D-M9xx_OMG0002EN-E.pdf](#)
[d-m9_op_man_d-_s-omg0002-a.pdf](#)