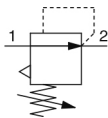


IR1000/2000/3000, Precision Regulator IR3020-F04-L

Datasheet

General series information

- Precision regulator
- Regulating pressure range (MPa): 0.005 to 0.8 depending on model
- Compact and lightweight
- Bracket & pressure gauge can be mounted on either the front or back
- 2 air operated models.



Pressure control valve, relieving pressure regulator, adjustable

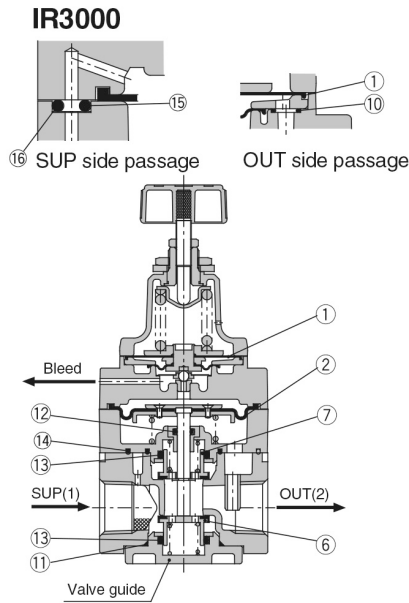
Standard specifications

| | |
|---|---|
| Body Size | 3 (IR3000) |
| Type of Setting | 0 (Basic [Handle]) |
| Set Pressure | 2 (0.01~0.8MPa [IR1000/2000] or 0.01~0.8MPa [IR3000]) |
| Thread | F [G(PF)] |
| Port Size | 04 (1/2 [IR3000 Only]) |
| Accessory | None |
| Suffix 1 | L (For low temp. environments [-30 to 60°C]) |
| Suffix 2 | None |
| Made to Order | None |
| Switch Specifications | None |
| Pressure medium | Air |
| Maximum temperature of pressure medium | 60 °C |
| Minimum temperature of pressure medium | -5 °C [with no freezing] |
| Maximum operating pressure | 1.0 MPa |
| Minimum operating pressure | +0.1 Mpa |
| Maximum ambient temperature | 60 °C |
| Maximum ambient temperature with magnet | -5 °C [with no freezing] |
| Approvals | No need |

| | |
|---|--------------------------|
| Sensitivity | Within 0.2% of full span |
| Repeatability | Within 0.5% of full span |
| Set pressure range | 0.01 - 0.8 MPa |
| Linearity | Within 1% of full span |
| Air consumption (At supply pressure of 1.0 MPa) | 11.5 l/min (ANR) or less |
| Input signal pressure | 0.01 - 0.8 Mpa |
| Weight | 0.640 Kg |

Constructions

Construction



Replacement Parts

| No. | Description | Material | IR30□0 | |
|--|--------------------|----------------------|---------------------------------|------|
| | | | Part no. | Qty. |
| 1 | Diaphragm assembly | NBR, other | P362020-2 | 1 |
| 2 | Diaphragm assembly | NBR, other | P362030-1 | 1 |
| 3 | Diaphragm | NBR, other | — | — |
| 4 | Valve | Stainless steel, NBR | — | — |
| 5 | Valve | Stainless steel, NBR | — | — |
| 6 | Valve | Brass, NBR | P36203009#1 | 1 |
| 7 | Valve | Brass, NBR | P36203010#1 | 1 |
| 8 | Damper | NBR, other | — | — |
| 9 | O-ring | H-NBR | — | — |
| 10 | O-ring | NBR | ø4.5 x 1 | 1 |
| 11 | O-ring | NBR | ø27.8 x 1.5 | 1 |
| 12 | O-ring | NBR | JISB2401P5 <small>Note</small> | 1 |
| 13 | O-ring | NBR | JISB2401P16 <small>Note</small> | 2 |
| 14 | Seal (A) | NBR | P36203015 | 1 |
| 15 | Seal (B) | NBR | P36203016 | 3 |
| 16 | Fixed throttle | Stainless steel | P36203017 | 1 |
| Repair kit no. (A set of above nos. ① to ⑮.) | | | KT-IR3000 | |



Note) Use mini-flick type.

Additional information

Catalogue [IR1000-2000-3000-B_EU.pdf](#)

Operation manuals [OM_IR30-OM00002EN-F.pdf](#)
[IR10-OM00006_GB.pdf](#)
[OM_IR20-OM00004EN-E.pdf](#)
[OM_IR10_OM00002EN-E.pdf](#)
[OM_IR20_OM00002EN-F.pdf](#)
[OM_IR30_OM00004EN-F.pdf](#)