

## Universal - AS\*3\*1F AS2301F-01-06S

Datasheet

### General series information

- Port Size: M3, M5, 10-32 UNF, 1/8, 1/4, 3/8, 1/2
- Applicable Tubing O.D.: Ø 3.2 to Ø 12 mm and Ø 1/8" to Ø 1/2"
- Operating Pressure Range: 0.1 to 1 MPa.

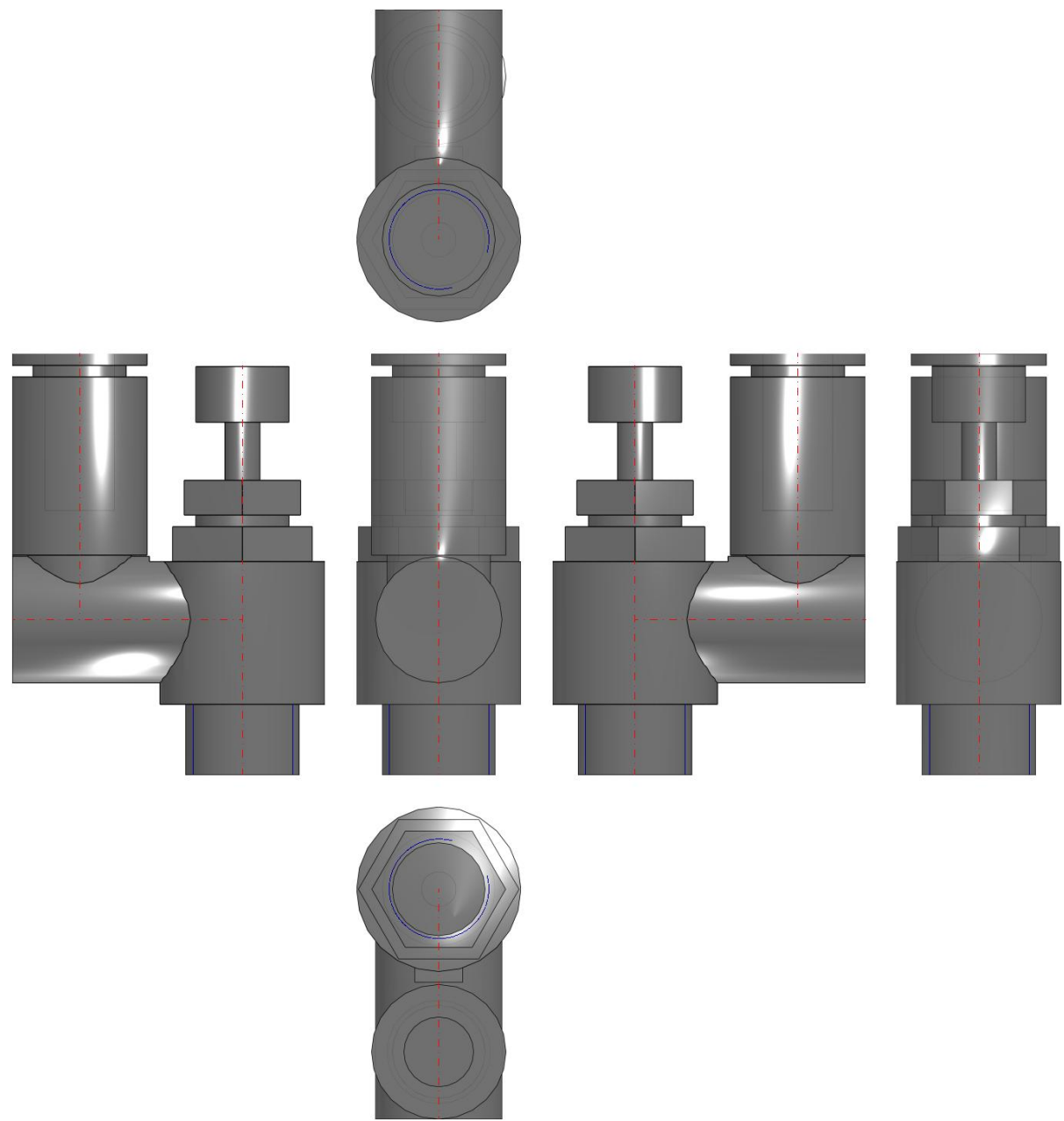


Flow control valve, adjustable, with reverse free flow

### Standard specifications

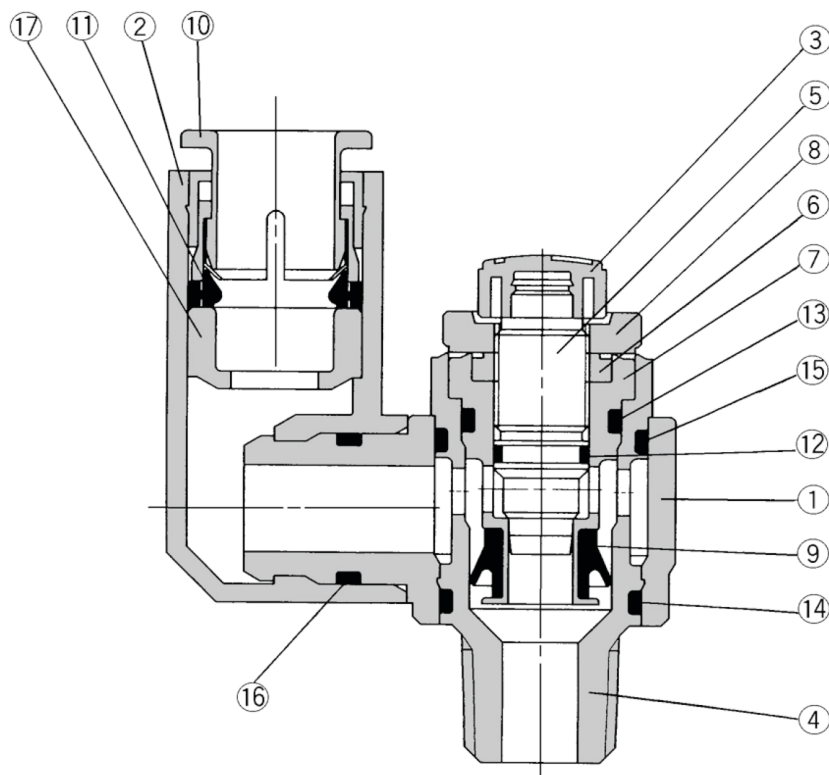
Size	23 (1/8, 1/4 Basis)
Control Method	0 (Meter-out)
Port Size and Tube Size	01-06 (Port Size R1/8 - Tube Size ø6)
Option	S (Sealant)
Fixed Orifice	None
Made to Order	None
Lock Nut	Standard (Hexagon)
Pressure medium	Air
Maximum operating pressure	1 MPa
Minimum operating pressure	0.1 MPa
Proof pressure	1.5 MPa
Maximum ambient temperature	60 °C
Minimum ambient temperature	-5 °C
Applicable tubing material	Nylon, Soft nylon, Polyurethane
Weight	0.017 Kg

# Dimensions



Specifications are subject to change without prior notice and any obligation on the part of the manufacturer.

## Constructions



## Component Parts

No.	Description	Material	Note
①	Body A	PBT	
②	Elbow body	PBT	
③	Handle	PBT	
④	Body B	Brass <sup>(1)</sup>	Electroless nickel plated
⑤	Needle	Brass	Electroless nickel plated
⑥	Needle guide	Brass	Electroless nickel plated
⑦	Seat ring	Brass	See Note 2
⑧	Lock nut	Steel	Zinc chromated <sup>(3)</sup>
⑨	U-packing	HNBR	
⑩	Cassette	POM, Stainless steel	
⑪	Packing	NBR	
⑫	O ring	NBR	
⑬	O ring	NBR	
⑭	O ring	NBR	
⑮	O ring	NBR	
⑯	O ring	NBR	
⑰	Spacer	POM	

Note 1) AS13□1F-M3: Stainless

Note 2) AS23□1F, AS33□1F-02: Electroless nickel plated

Note 3) Meter-in type: Black zinc chromated

## Additional information

Catalogue

[AS\\_2-3\\_1F-A\\_EU.pdf](#)