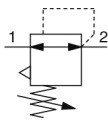


## AR20-D to AR60-D, Regulator & Regulator w/Backflow Function AR20K-F01E-D

Datasheet

### General series information

- ISO 8573-1:2010 compliant
- Up to 0.85 MPa set pressure
- Maximum flow rate up to 20000 l/min (ANR, 0.7MPa).

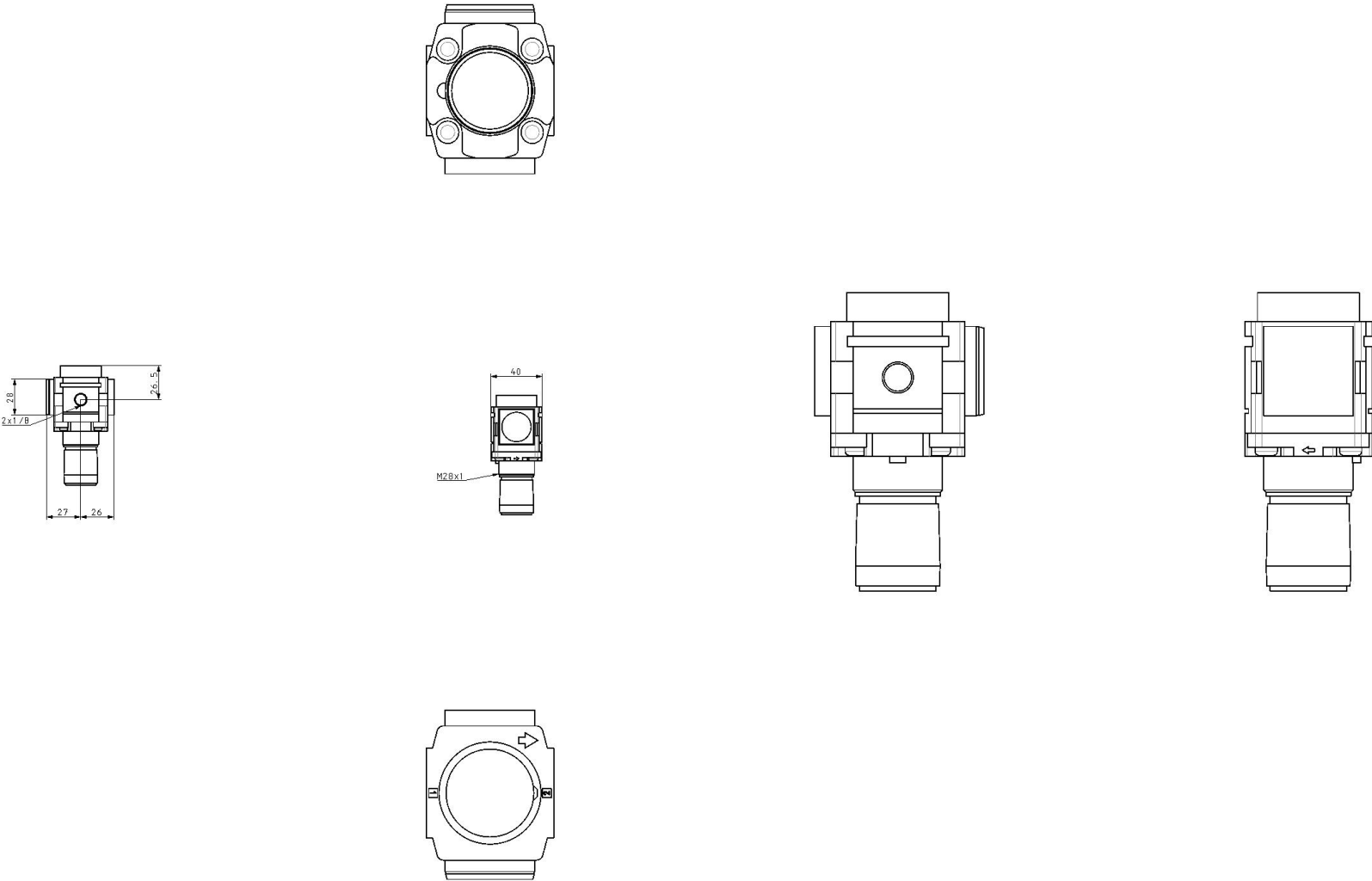


Regulator with Backflow Function

### Standard specifications

Body Size	20
Backflow Function	K (w/Backflow Function)
Thread	F (G)
Port Size	01 (1/8)
Options	E [w/Square Embedded Type Pressure Gauge (w/Limit Indicator)]
Set pressure	0.05 to 0.85 MPa Setting
Exhaust Mechanism	Relieving
Flow Direction	Left to Right
Knob	Downward
Pressure Units	Standard (Name Plate, Caution Plate for Bowl, and Pressure Gauge: MPa)
Construction	Relieving type
Pressure medium	Air
Maximum temperature of pressure medium	60 °C
Minimum temperature of pressure medium	-5 °C (with no freezing)
Maximum operating pressure	1.0 MPa
Proof pressure	1.5 MPa
Maximum ambient temperature	60 °C
Minimum ambient temperature	-5 °C (with no freezing)
Weight	0.169 Kg

# Dimensions



## Additional information

Catalogue	<a href="#">ACD-D_EU.pdf</a>
Installation manuals	<a href="#">IM_ARx-D_TF2Z352EN.pdf</a>
Operation manuals	<a href="#">OM_AR20-60-D_OMX0055EN-B.pdf</a>