

D-A90/A93/A96, Reed Switch, Direct Mounting, Grommet, In-line D-A93L

Datasheet

General series information

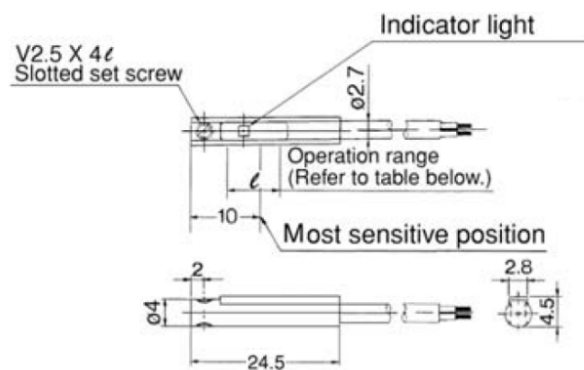
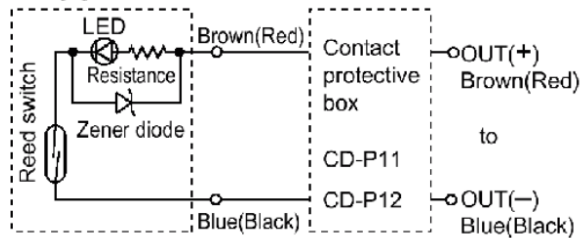
- Electrical entry: Grommet.
- Application Load: IC circuit/Relay/PLC, 24V DC Relay/PLC.
- Power voltage: 100VAC/48V DC (4 to 8V DC).
- Load current: 5 to 50mA.
- Applicable Actuator Series: CDU, CDQS, CDQ2, MY1, MXU, MXW, MXF, MXS, MXQ, MXP, MTS, CXT, MK, MK2, RSQ, CEP, CY1R.

Standard specifications

Model	A93 (DC Volt <24, AC Volt <100, LED)
Lead Wire Length	L (3 m)
Approvals	CE
Electrical entry direction	In-line
Applicable load	Relay, PLC
Internal resistance	1 ?
Load voltage	24 VDC (40 mA), 100 VAC (20 mA)
Load current	40 mA (24 VDC), 20 mA (100 VAC)
Internal voltage drop	? 2.4 V (up to 20 mA), ? 3 V (up to 40 mA)
Weight	0.030 Kg

Dimensions

D-A93



Additional information

Catalogue	D_EU.pdf
Declaration of conformity	newDoC_D-Reed_TF1V311EN.pdf DoC_DxZZ-TF0001M-B.pdf
Installation manuals	IM_D-A9_TF222-157EN.pdf