

## C(D)QM, Compact Cylinder, Guide Rod Type CDQMB50TF-10

### Datasheet

The CQM is a compact cylinder integrated with a guide rod and plate. The series is available in 12, 16, 20, 25, 32, 40, 50, 63, 80 and 100mm bore sizes with the same mounting dimensions as the CQ2. The guide rod and plate allow work to be directly mounted. The CQM series offers 4 times the lateral load resistance of the CQ2K and non-rotating accuracy of  $\pm 0.2^\circ$ .



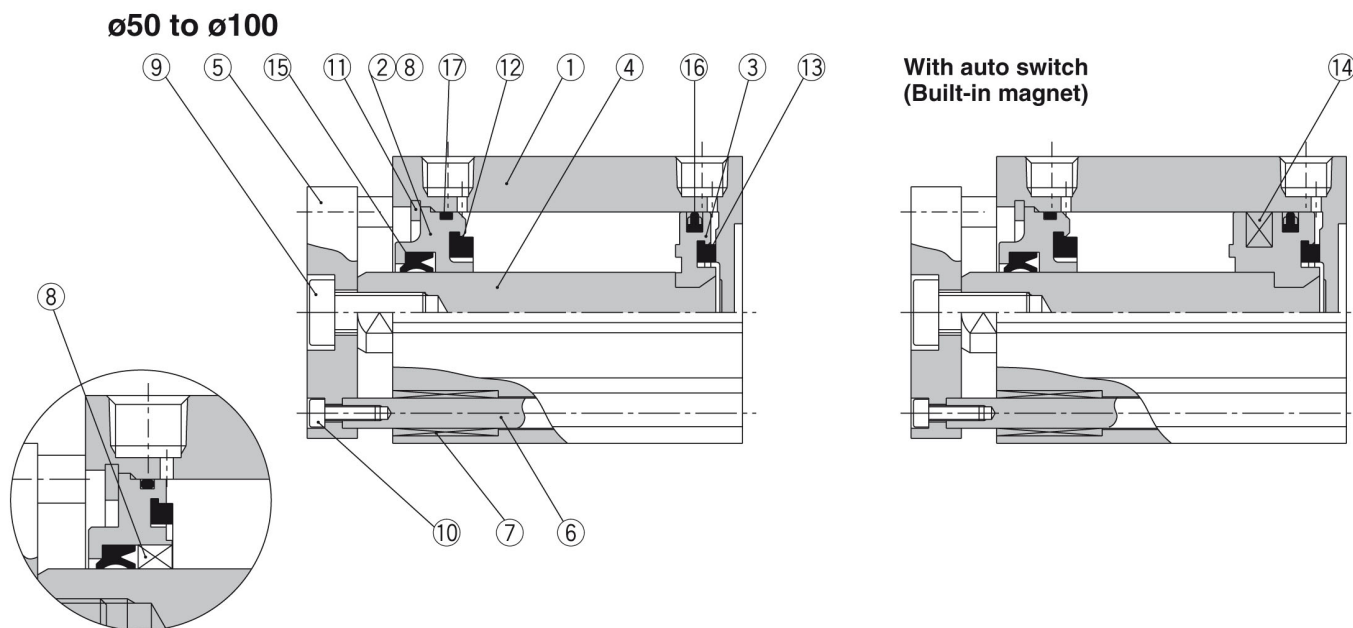
*Double-acting cylinder with cushioning adjustable at both ends, single piston rod*

### Standard specifications

Magnet	D (Built-in)
Mounting	B [Through Hole (Standard)]
Bore Size	Ø50 mm
Port Thread	TF [G]
Stroke	10mm
Auto Switch	No Switch
Lead Wire or Prewired Connector	0.5 m
Number	2 pcs.
Pressure medium	Compressed air
Maximum temperature of pressure medium with magnet	60 °C
Minimum temperature of pressure medium with magnet	-10 °C (with no freezing)
Maximum operating pressure	1.0 MPa
Minimum operating pressure	0.1 MPa
Proof pressure	1.5 MPa
Maximum ambient temperature with magnet	60 °C
Minimum ambient temperature with magnet	-10 °C (with no freezing)
Number of pneumatic connections	2 pcs.
Pneumatic input connection	G 1/4
Pneumatic exhaust connection	G 1/4
Theoretical cylinder force, advance stroke (at 0.5 MPa)	982



## Constructions



### Component Parts

No.	Description	Material	Note
1	<b>Cylinder tube</b>	Aluminium alloy	Hard anodised
2	<b>Collar</b>	Aluminium alloy	Chromated, Coated
3	<b>Piston</b>	Aluminium alloy	Chromated
4	<b>Piston rod</b>	Carbon steel	Hard chrome plated
5	<b>Plate</b>	Aluminium alloy	Anodised
6	<b>Guide rod</b>	Stainless steel	Hard chrome plated
7	<b>Bushing</b>	Oil-impregnated sintered alloy	
8	<b>Bushing</b>	Bronze alloy	
9	<b>Hexagon socket head cap screw</b>	Carbon steel	Nickel plated
10	<b>Hexagon socket head cap screw</b>	Carbon steel	Nickel plated
11	<b>Snap ring</b>	Carbon tool steel	Phosphate coated
12	<b>Bumper A</b>	Urethan	
13	<b>Bumper B</b>	Urethan	
14	<b>Magnet</b>	—	
15	<b>Rod seal</b>	NBR	
16	<b>Piston seal</b>	NBR	
17	<b>Gasket</b>	NBR	

## Additional information

Catalogue

[CQM\\_EU.pdf](#)