

# CKZT, Power Clamp Cylinder w/o Arm

## CKZT40-90T

### Datasheet

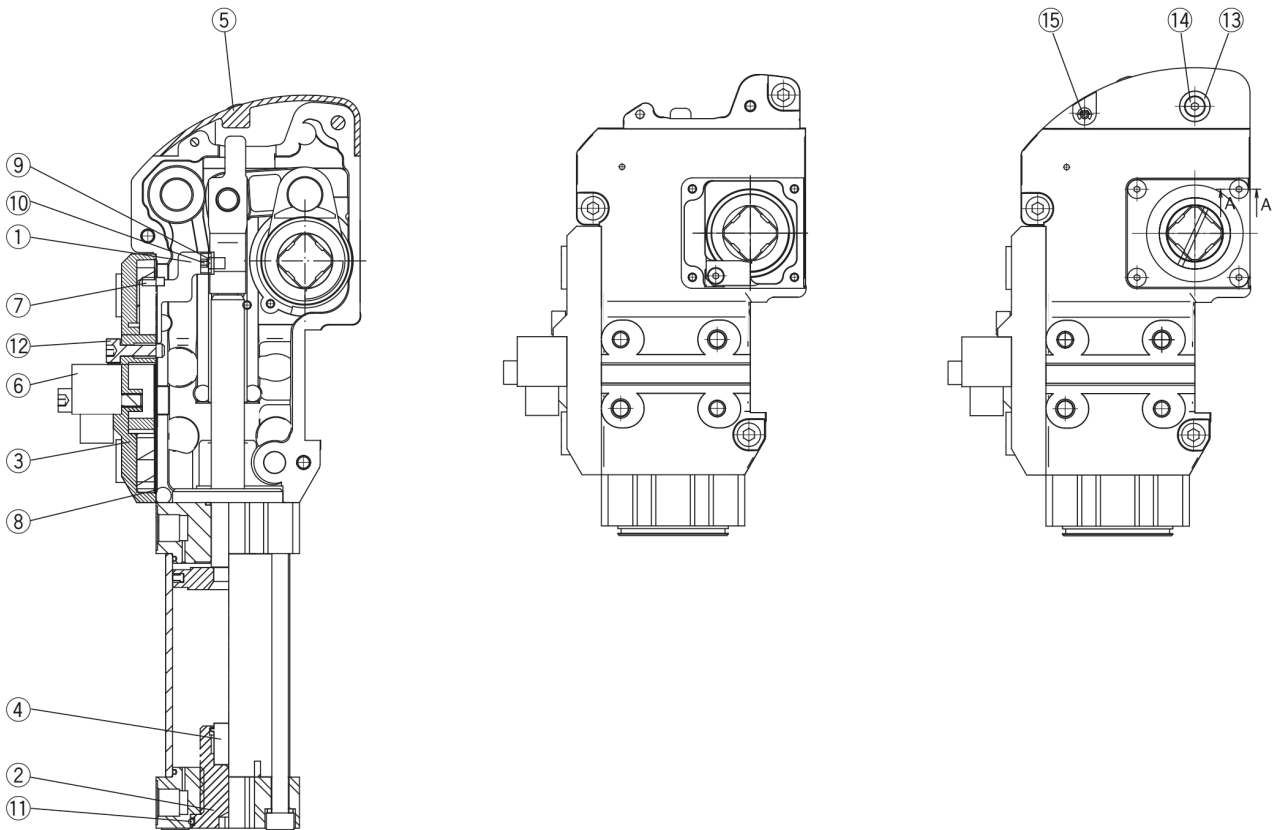
#### General series information

- Bore sizes (mm): 40
- Base type and with manual handle
- Port thread type G or NPT
- 8 arm opening angles
- Turck or P & F switch type.

#### Standard specifications

Bore Size	40mm
Cylinder Port	G
Arm Opening Angle	90°
Switch Type	T (Turck)
Made to Order	Base Type, Rubber Cover
Manually Operated Handle	None
Maximum operating pressure	0.8 MPa
Minimum operating pressure	0.3 MPa
Proof pressure	1.2 MPa
Type of cushioning	Clamping side: None Unclamping side: Rubber bumper
Fluid	Air
Ambient and fluid temperature	-10 - 60°C
Action	Double acting
Operating time	1 sec. or more, Unclamping: 1 sec. or more
Allowable locking moment	380 N·m
Maximum clamping moment (at 0.5 MPa)	118 N·m
Cylinder stroke	52.3 mm
Proximity Switch Operating range	2 mm ± 10%
Continuous load current	150 mA
Response frequency	30 Hz
Housing material	PBT-GP30
Output indication	Clamping side: Red Unclamping side: Yellow
Voltage indication	Green
Weight	1.560 Kg

## Constructions



### Replaceable Kits List

Description	Bore	Kit no.	Contents
Switch cassette	40	CKZT-S040 <sup>T</sup> <sub>P</sub> (See Note 1)	③ Switch holder ⑥ Inductive switch ⑦ Parallel pin ⑧ Sheet gasket ⑫ Cover cap screw
Parts for changing opening angle of arm	40	CKZT-D040* (See Note 2)	① Stay ⑨ Spring washer ⑩ Short head cap screw
		CKZT-B040* (See Note 2)	② Stopper bolt ④ Bumper ⑪ O ring
		CKZT-K040* (See Note 2)	CKZT-D040* CKZT-B040*
Top cover kits	40	CKZT-T040	⑤ Top cover ⑬ Spacer ⑭ Brazier head cap bolt ⑮ Hinge pin

**Table 1**

Opening angle	Code
30	H
45	G
60	F
75	E
90	D
105	C
120	B
135	A

Note 1) T: TURCK, P: P&F

Note 2) Please specify the opening angle by the code in Table 1.

## Additional information

Catalogue

[CKZT\\_EU.pdf](#)