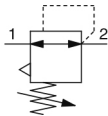


## IR1200/2200/3200-A, Regulator IR2220-F02-A

Datasheet

### General series information

- Lightweight.
- Addition of bottom and front exhaust.
- Repeatability  $\pm 1.0\%$  (full span).
- High flow rate.
- Max. supply pressure: 1.0 MPa.



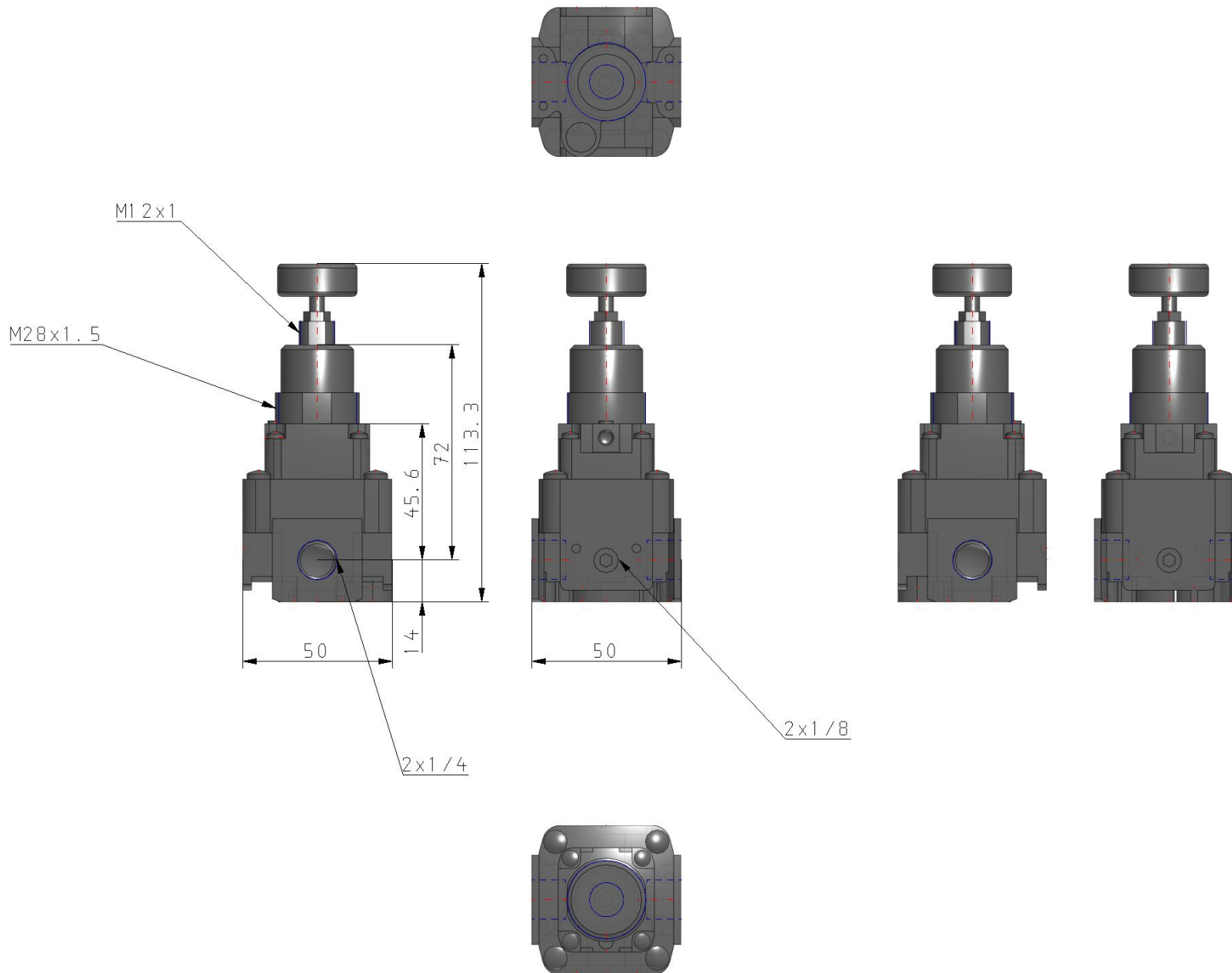
Regulator with backflow function

### Standard specifications

|   |                               |
|---|-------------------------------|
| Body Size                                       | 2                             |
| Set pressure                                    | 2 (0.02 to 0.8 MPa)           |
| Exhaust Direction                               | 0 (Bottom Exhaust)            |
| Thread  | F (G)                         |
| Port Size                                       | 02 (1/4)                      |
| Option  | None                          |
| Semi-standard                                   | None                          |
| Pressure medium                                 | Air                           |
| Maximum temperature of pressure medium          | 60 °C                         |
| Minimum temperature of pressure medium          | -5 °C (with no freezing)      |
| Maximum operating pressure                      | 1.0 MPa                       |
| Proof pressure                                  | 1.5 MPa                       |
| Maximum ambient temperature                     | 60 °C                         |
| Minimum ambient temperature                     | -5 °C (with no freezing)      |
| Repeatability                                   | Within $\pm 1\%$ of full span |
| Air consumption (At supply pressure of 1.0 MPa) | 1 l/min (ANR) or less         |
| Max. supply pressure                            | 1.0 MPa                       |
| Min. supply pressure                            | Set pressure +0.05 MPa        |

|           |          |
|-----------|----------|
| Approvals | No need  |
| Weight    | 0.250 Kg |

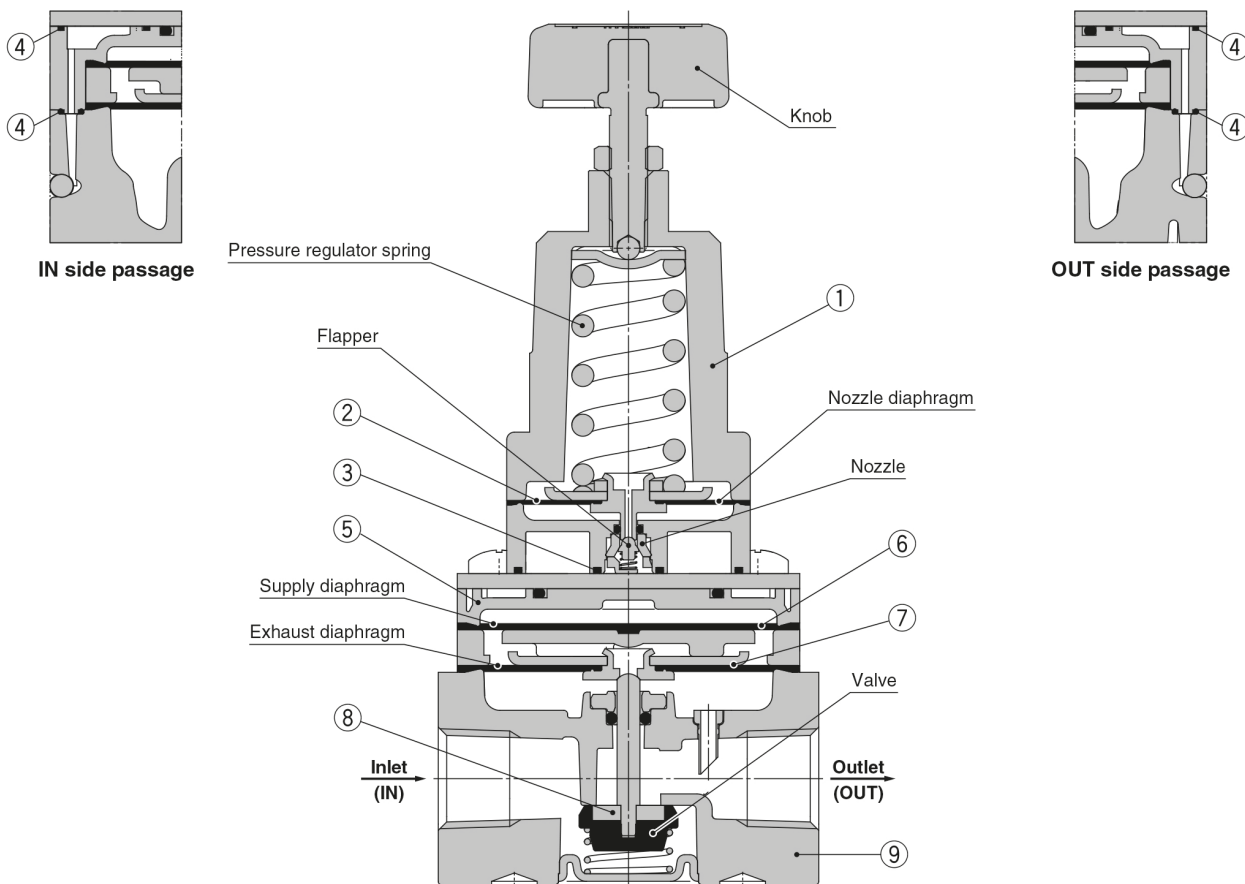
# Dimensions



Specifications are subject to change without prior notice and any obligation on the part of the manufacturer.

## Constructions

### Basic type (Knob): IR22□0-A



### Component Parts

| No. | Description                | Material                                |          |  |
|-----|----------------------------|---|----------|--|
|     |                            | IR1200-A                                | IR2200-A | IR3200-A                               |
| 1   | Bonnet                     | Aluminium die-casted                    |          |  |
| 2   | Nozzle diaphragm assembly  | Aluminium, Weather resistant NBR        |          |  |
| 3   | Seal                       | HNBR                                    |          |  |
| 4   | Seal                       | NBR                                     |          |  |
| 5   | Diaphragm spacer           | Polyacetal                              |          |  |
| 6   | Supply diaphragm           | Weather resistant NBR                   |          | —                                      |
| 7   | Exhaust diaphragm assembly | Steel, Aluminium, Weather resistant NBR |          | Aluminium, Weather resistant NBR, HNBR |
| 8   | Valve assembly             | Stainless steel, Aluminium, HNBR        |          | Aluminium, HNBR                        |
| 9   | Body                       | Aluminium die-casted                    |          |  |

## Additional information

|                   |  |
|-------------------|--|
| Catalogue         | <a href="#">IR200A-Aa_EU.pdf</a>   |
| Operation manuals | <a href="#">OM_IR20_OM00009EN.pdf</a><br><a href="#">OM_IR30_OM00015EN.pdf</a><br><a href="#">OM_IR20_OM00010EN.pdf</a><br><a href="#">OM_IR30_OM00016EN.pdf</a> |