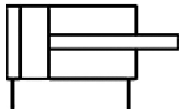


RS(D)Q-Z, Stopper Cylinder, Fixed Mounting Height RSDQB20TF-10DZ

Datasheet

General series information

- Fixed Height Stopper Cylinder, Double / Single Acting
- Bore sizes (mm): 16, 20, 32, 40, 50
- Strokes up to 30 mm
- 10 rod end configurations available
- Compact auto switch mountable on 4 surfaces.



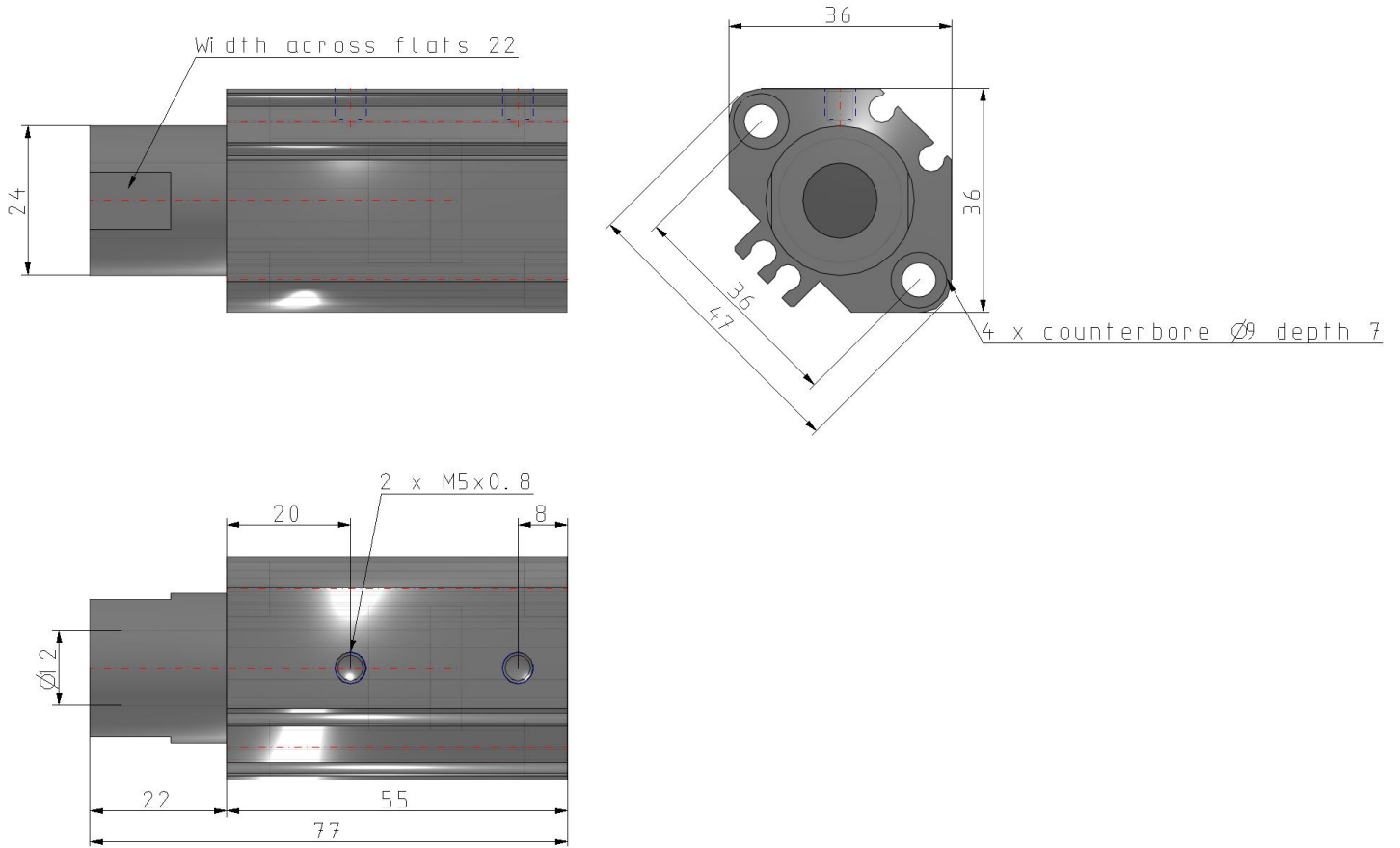
Double acting cylinders

Standard specifications

| | |
|---|---|
| Magnet | D (Built-in) |
| Mounting | B (Through Hole, Standard) |
| Bore Size | 20 mm |
| Port Thread | TF (Bore 20: M5 Thread, Bore 32 to 50: G) |
| Stroke | 10 mm |
| Action | D (Double Acting) |
| Rod End | Round Bar Style |
| Mounting Bolt | None |
| Auto Switch | No Switch |
| Lead Wire or Prewired Connector | 0.5m (Or None in the Case of No Switch) |
| Number | 2 pcs. (Or None in the Case of No Switch) |
| Made to Order | None |
| Pressure medium | Air |
| Maximum operating pressure | 1.0 MPa |
| Proof pressure | 1.5 MPa |
| Maximum ambient temperature with magnet | 60 °C |
| Minimum ambient temperature with magnet | -10 °C |
| Maximum piston speed | 500 mm/s |

| | |
|-------------------------|-------------------------|
| Type of cushioning | Rubber bumper |
| Minimum piston speed | 50 mm/s |
| Lubrication | Not required (Non-lube) |
| Stroke length tolerance | +1.4 0 |
| Weight | 0.206 Kg |

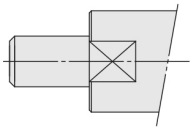
Dimensions



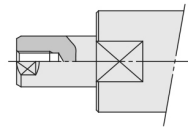
Constructions

Rod end configuration:

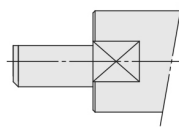
Round bar (—)



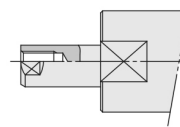
Round bar with female thread (F)



Chamfered (K)

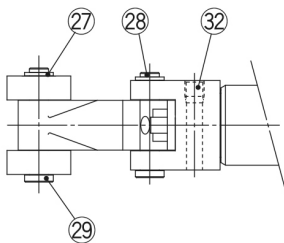
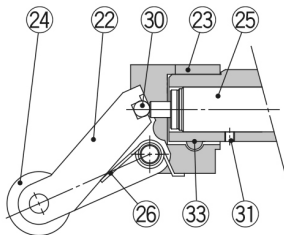


Chamfered with female thread (G)



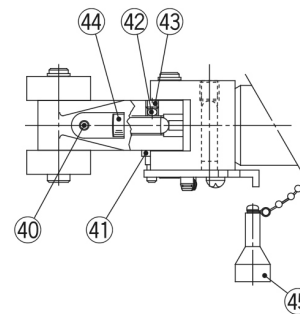
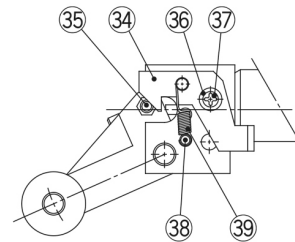
Lever (Fixed absorber type)

(Ø 32, Ø 40, Ø 50 only)

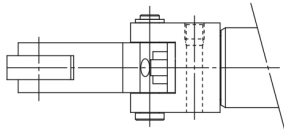


Lever (Adjustable absorber type)

(Ø 32, Ø 40, Ø 50 only)



Only one roller is provided for Ø 32.



Component Parts

| No. | Description | Material |
|-----|-------------------------------|----------------------------------|
| 22 | Lever | Cast iron |
| 23 | Lever holder | Rolled steel |
| 24 | Roller B | Resin |
| 25 | Shock absorber | — |
| 26 | Lever spring | Stainless steel wire |
| 27 | C retaining ring for axis | Carbon tool steel |
| 28 | Lever pin | Carbon steel |
| 29 | Roller pin | Carbon steel |
| 30 | Steel ball | High carbon chrome bearing steel |
| 31 | Hexagon socket head set screw | Chromium molybdenum steel |
| 32 | Hexagon socket head set screw | Chromium molybdenum steel |
| 33 | One-side tapered pin | Carbon steel |

| No. | Description | Material |
|-----|---------------------------------|---------------------------|
| 34 | Bracket | Carbon steel |
| 35 | Pin B | Carbon steel |
| 36 | Spacer | Carbon steel |
| 37 | Cross recessed round head screw | Rolled steel |
| 38 | Pin A | Rolled steel |
| 39 | Bracket spring | Steel wire |
| 40 | Hexagon socket head set screw | Chromium molybdenum steel |
| 41 | Spring washer | Steel wire |
| 42 | Urethane ball | Urethane |
| 43 | Hexagon socket head set screw | Chromium molybdenum steel |
| 44 | Adjustment bolt | Bearing steel |
| 45 | Cancel cap | Aluminium alloy |

Additional information

Catalogue

[RSQ-A_EU.pdf](#)

Operation manuals

[OM_RSQ_OM0080EN-Q.pdf](#)