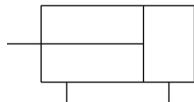


C(D)76, Air Cylinder, Double Acting, Single Rod

CD76E40-300-B

Datasheet

- Standard, double acting, single rod
- Bore sizes (mm): 32, 40
- Max. operating pressure: 1.0MPa
- Rubber cushion or air cushion
- Rod boots available



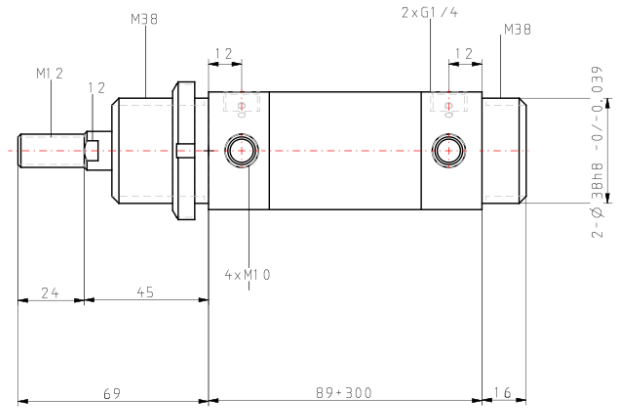
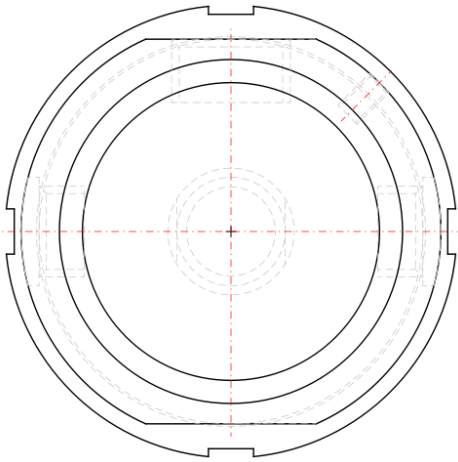
Double-acting, single-rod cylinder

Standard specifications

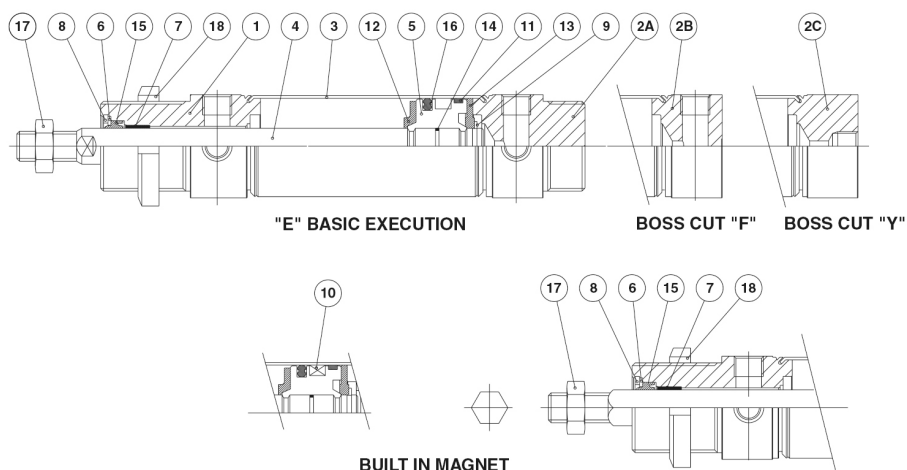
Magnet	D (Built-in)
Mounting	E (Double End)
Bore Size	40mm
Stroke	300
Cushion	Rubber Cushion
Rod Boot	Standard
Switch Mounting	B (Band)
Auto Switch	No Switch
Lead Wire or Prewired Connector	0.5m (Or None in the Case of No Switch)
Number	2 pcs. (Or None in the Case of No Switch)
Rod End Options	None
Temperature Resistance	None
Low Speed	None
Made of Stainless Steel	Standard
Long Stroke	Standard
Maximum operating pressure	1.0 MPa
Minimum operating pressure	0.05 MPa
Proof pressure	1.5 MPa
Pneumatic input connection	G 1/4

Pneumatic output connection	G 1/4
Pneumatic exhaust connection	G 1/4
Mode of operation of drive single	Double acting
Theoretical cylinder force, advance stroke (at 0.5 MPa)	628 N
Theoretical cylinder force, return stroke (at 0.5 MPa)	551 N
Maximum piston speed	1500 mm/s
Type of cushioning	Rubber bumper
Piston rod end	Male Thread
Male thread of rod end	M12
Minimum piston speed	50 mm/s
Non-rotating accuracy of plate	± 0.5°
Lubrication	Not required. Use turbine oil Class 1 ISO VG32, if lubricated.
Number of pneumatic connections	2
Fluid	Air
Ambient and fluid temperature	-10 - 60°C
Weight	1.319 Kg

Dimensions



Constructions



Parts List

Item	Part name	Material	Quantity	Remarks
1	Rod cover	Aluminum alloy	1	White alumite
2A	Head cover E	Aluminum alloy	1	White alumite
2B	Head cover F	Aluminum alloy	1	White alumite
2C	Head cover Y	Aluminum alloy	1	White alumite
3	Cylinder tube	Stainless steel	1	
4	Piston rod	Carbon steel	1	Hard chrome plated
5	Piston	Aluminum alloy	1	Chromate
6	Plain washer	Carbon steel	1	Nickel plating
7	Bush	Sintered bronze	1	
8	Retaining ring	Carbon steel	1	Nickel plating

Item	Part name	Material	Quantity	Remarks
9	Retaining ring	Carbon steel	1	Nickel plating
10	Magnet	Magnet	1	(Switch type only)
11	Wear ring	Phenolic resin	1	
12	Bumper A	Urethane	1	
13	Bumper B	Urethane	1	
14	Piston gasket	NBR	1	
15	Rod seal	NBR	1	
16	Piston seal	NBR	1	
17	Rod end nut	Carbon steel	1	Nickel plating
18	Mounting nut	Carbon steel	1	Nickel plating

Additional information

Catalogue

[C76_EU.pdf](#)