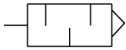


AN05 to 40, Silencer, Compact Resin Type, Male Thread AN30-03

Datasheet

General series information

- Space saving.
- Noise reduction improved: 30 dB(A).
- M thread, R (NPT) thread type.

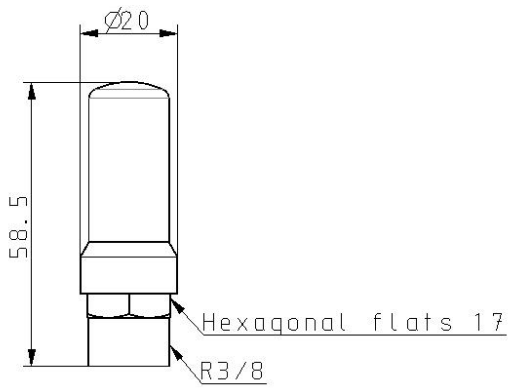
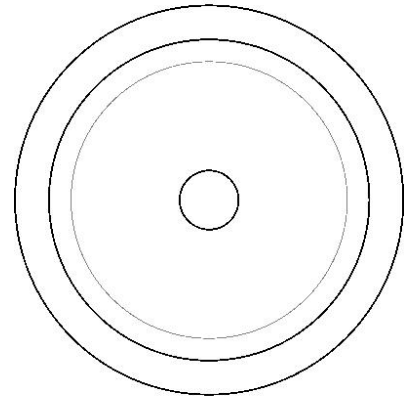
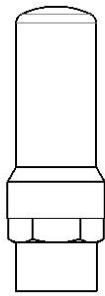


Silencer

Standard specifications

Body Size	30
Thread Type	Rc or Metric
Thread Connection Port Size	03 (3/8)
Pressure medium	Compressed Air
Maximum ambient temperature	60 °C
Maximum ambient temperature with magnet	5 °C
Noise reduction	30 dB
Effective Area	60 mm
Weight	0.005 Kg

Dimensions



Additional information

Catalogue

[AN-A_EU.pdf](#)