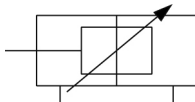


C(D)QM, Compact Cylinder, Guide Rod Type CDQMB50-35

Datasheet

- Guide rod type compact cylinder
- Bore sizes (mm): 12, 16, 20, 25, 32, 40, 50, 63, 80, 100
- Standard strokes (mm): 5 to 100
- 4 times the lateral load resistance of the CQ2K
- Non-rotating accuracy 0.2 or less



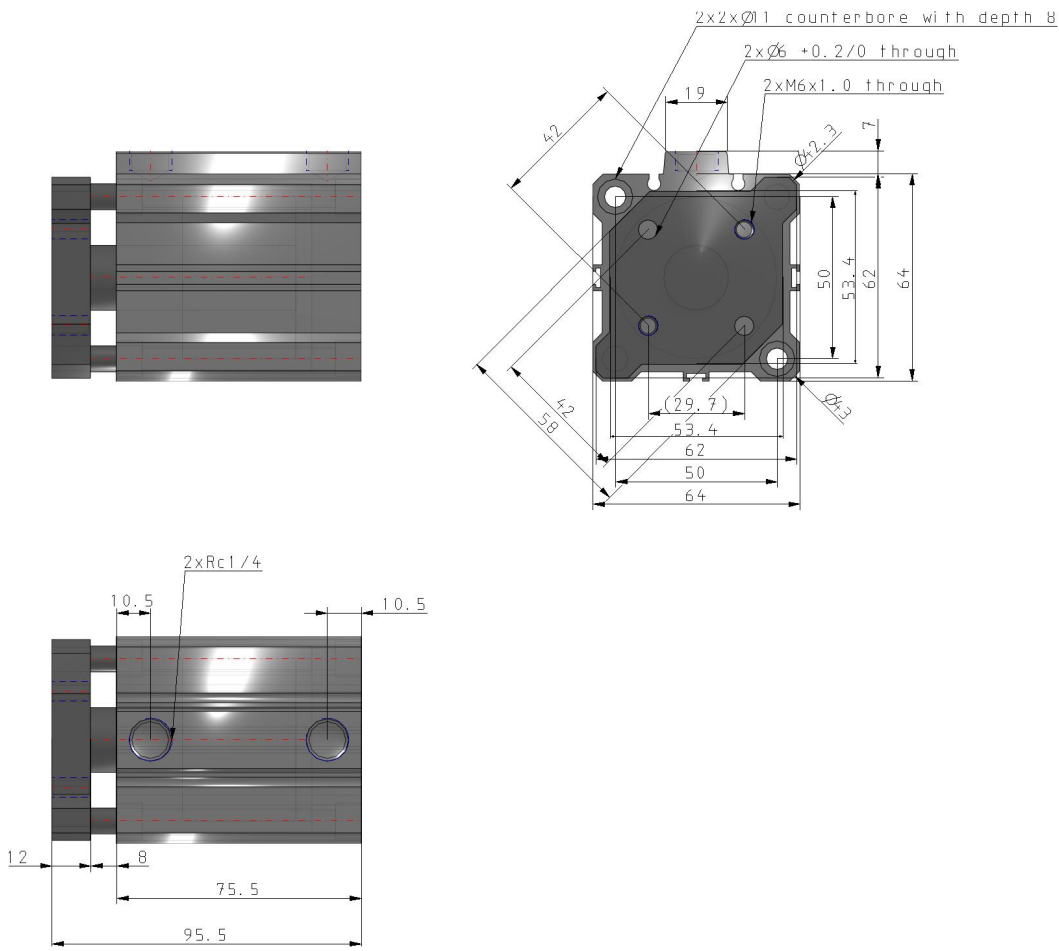
Double-acting cylinder with cushioning adjustable at both ends, single piston rod

Standard specifications

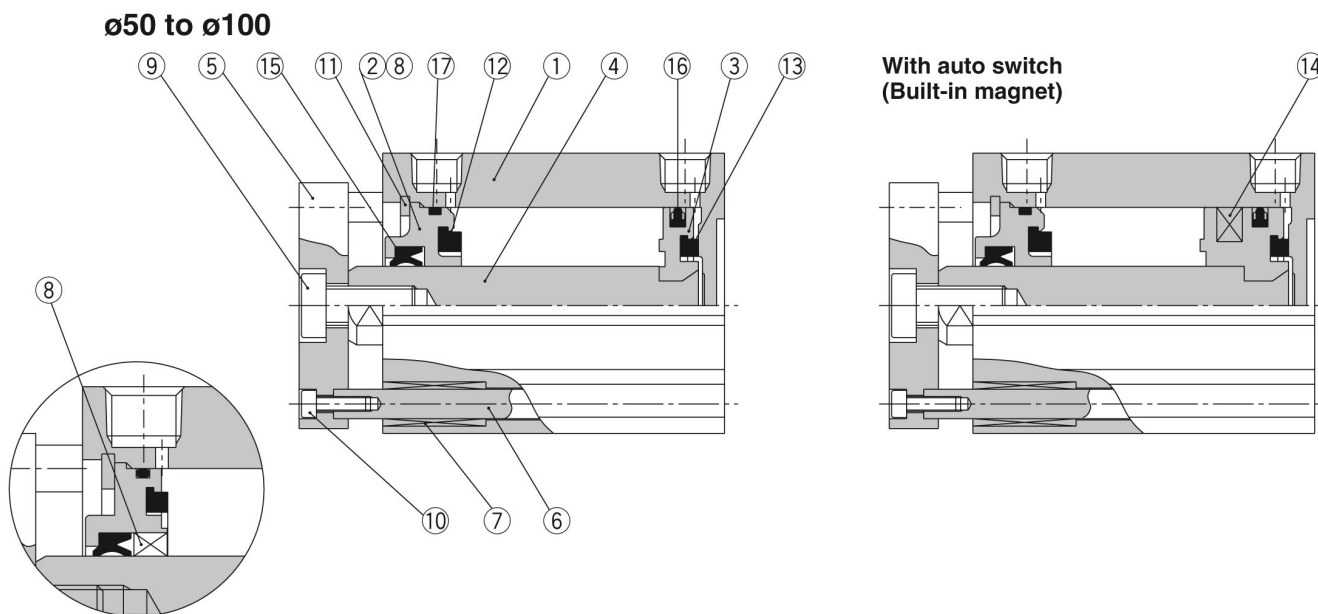
| | |
|---|-----------------------------|
| Magnet | D (Built-in) |
| Mounting | B [Through Hole (Standard)] |
| Bore Size | Ø50 mm |
| Port Thread | M Thread; Rc |
| Stroke | 35 mm |
| Auto Switch | No Switch |
| Lead Wire or Prewired Connector | 0.5 m |
| Number | 2 pcs. |
| - | Compressed air |
| Maximum temperature of pressure medium with magnet | 60 °C |
| Minimum temperature of pressure medium with magnet | -10 °C (with no freezing) |
| Maximum operating pressure | 1.0 MPa |
| Minimum operating pressure | 0.1 MPa |
| Proof pressure | 1.5 MPa |
| Maximum ambient temperature with magnet | 60 °C |
| Minimum ambient temperature with magnet | -10 °C (with no freezing) |
| Pneumatic input connection | R 1/4 |
| Pneumatic exhaust connection | R 1/4 |
| Theoretical cylinder force, advance stroke (at 0.5 MPa) | 982 |

| | |
|--|----------------------------|
| Theoretical cylinder force, return stroke (at 0.5 MPa) | 825 |
| Maximum piston speed | 300 mm/s |
| Type of cushioning | Rubber bumper on both ends |
| Piston rod end | Without thread |
| Non-rotating accuracy of plate | $\pm 0.1^\circ$ |
| Allowable rotational torque | 1.19N·m |
| Weight | 0.819 Kg |

Dimensions



Constructions



Component Parts

| No. | Description | Material | Note |
|-----|-------------------------------|--------------------------------|--------------------|
| 1 | Cylinder tube | Aluminium alloy | Hard anodised |
| 2 | Collar | Aluminium alloy | Chromated, Coated |
| 3 | Piston | Aluminium alloy | Chromated |
| 4 | Piston rod | Carbon steel | Hard chrome plated |
| 5 | Plate | Aluminium alloy | Anodised |
| 6 | Guide rod | Stainless steel | Hard chrome plated |
| 7 | Bushing | Oil-impregnated sintered alloy | |
| 8 | Bushing | Bronze alloy | |
| 9 | Hexagon socket head cap screw | Carbon steel | Nickel plated |
| 10 | Hexagon socket head cap screw | Carbon steel | Nickel plated |
| 11 | Snap ring | Carbon tool steel | Phosphate coated |
| 12 | Bumper A | Urethan | |
| 13 | Bumper B | Urethan | |
| 14 | Magnet | — | |
| 15 | Rod seal | NBR | |
| 16 | Piston seal | NBR | |
| 17 | Gasket | NBR | |

Additional information

Catalogue

[CQM_EU.pdf](#)

Operation manuals

[cqm_op_manual_cqm_-om0001c.pdf](#)