

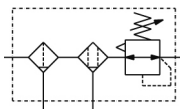
# AC20D-B to AC40D-B, Modular Type, Filter Regulator + Mist Separator

## AC40D-F04D-B

Datasheet

### General series information

- This product is being discontinued and will be replaced by AC-D series. [Update details here.](#)
- Filter Regulator + Mist Separator.
- Body size: 20, 30, 40.
- Port Size: 1/8, 1/4, 3/8, 1/2, 3/4.
- Max. operating pressure: 1.0 MPa.
- Attachments.



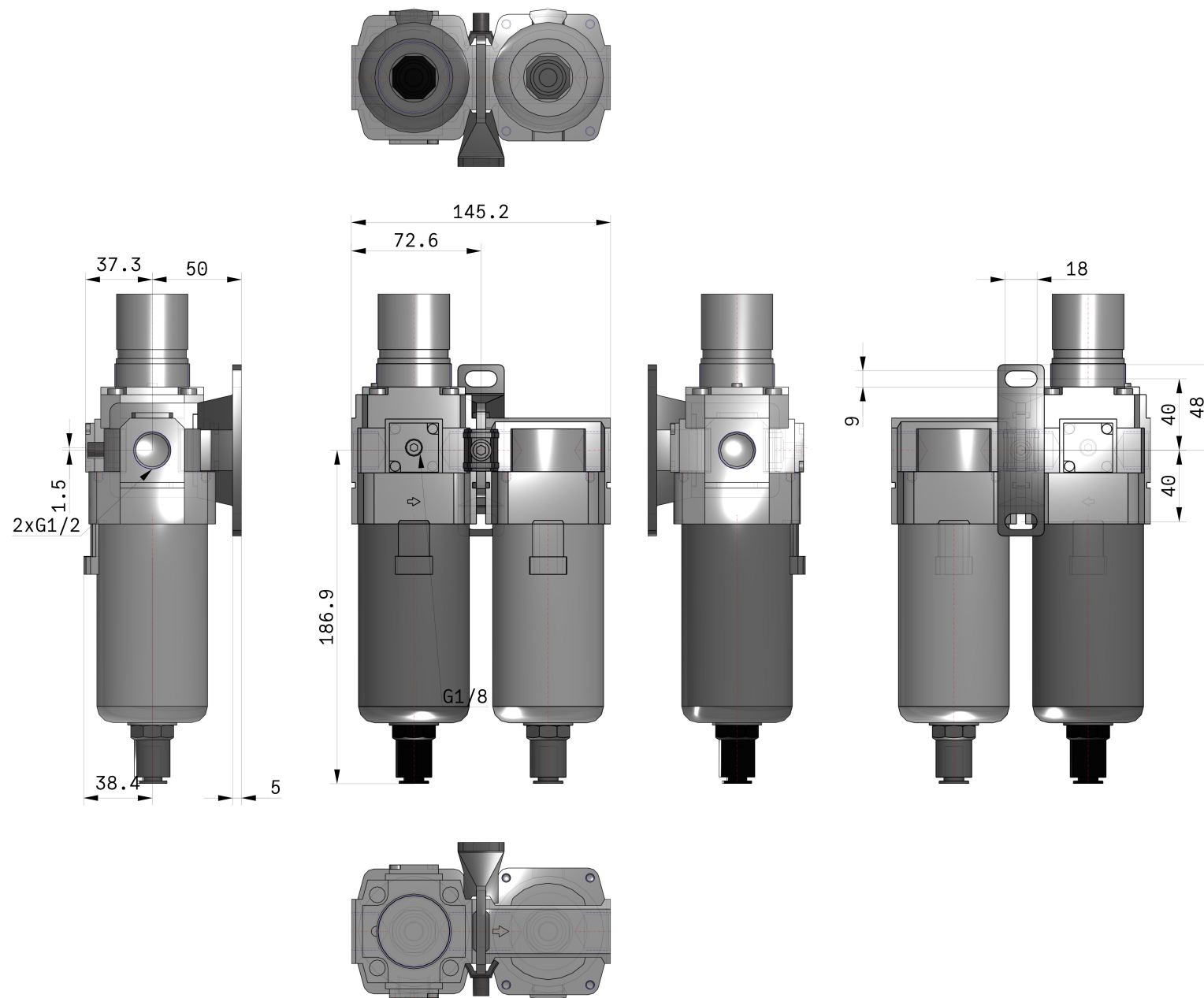
Air combination, air filter, mist separator and regulator

### Standard specifications

Body Size	40
Thread	F (G)
Port	04 (1/2)
Float type auto drain	D [Float Type Auto Drain (N.O.)]
Pressure gauge /Digital pressure switch	Without Pressure Gauge
Pressure Switch	Without Attachment
Residual Pressure Relief 3 Port Valve	Without Attachment
Set pressure	Standard (0.05 to 0.85 MPa)
Bowl type	Standard (Polycarbonate Bowl)
Bowl Guard	Without
Filter Regulator Drain Port	Standard
Exhaust Mechanism	Relieving
Flow Direction	Standard (Flow Direction: Left->Right)
Drain Cock w/Barb Fitting	Without Barb Fitting
Pressure Units	Standard (Name Plate, Caution Plate for Bowl, and Pressure Gauge: MPa)
Maximum temperature of pressure medium	60 °C

Minimum temperature of pressure medium	-5 °C (with no freezing)
Maximum operating pressure	1.0 MPa
Proof pressure	1.5 MPa
Maximum ambient temperature	60 °C;60 °C
Minimum ambient temperature	-5 °C (with no freezing);-5 °C (with no freezing)
Drain Capacity	45 cm <sup>3</sup>
Weight	1.270 Kg

# Dimensions



Specifications are subject to change without prior notice and any obligation on the part of the manufacturer.

## Additional information

Catalogue	<a href="#">AC-B-B_EU.pdf</a>
Declaration of conformity	<a href="#">newDoc_AW-B_TF1W28EN.pdf</a>
Installation manuals	<a href="#">IM_AW_SMU06EN-A.pdf</a>
Operation manuals	<a href="#">OM_AWx-B_OMS0038EN-C.pdf</a> <a href="#">OM_AC-B_OMT0014EN-A.pdf</a> <a href="#">OM_AWxK-B_OMT0013EN-B.pdf</a>