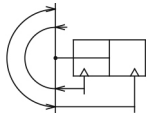


Toggle Style - MHT2-Z MHT2-40TFDZ

Datasheet

General series information

- Maximum gripping moment 106 Nm at 0.5 MPa
- Finger opening angle from -3° to 28°
- Double acting
- Repeatability: ± 0.01 mm
- Max. operating frequency: 60 c.p.m.

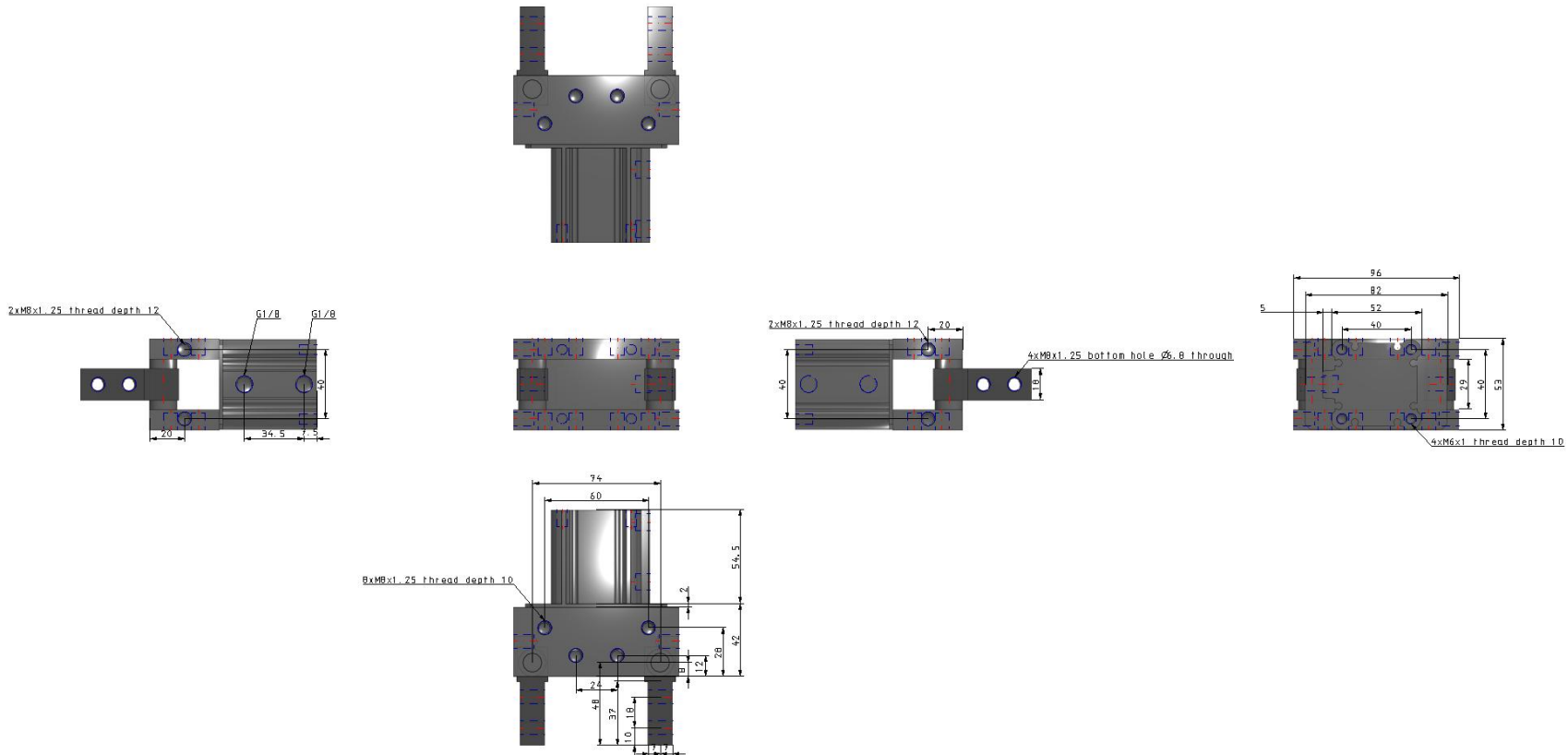


Double acting, external grip

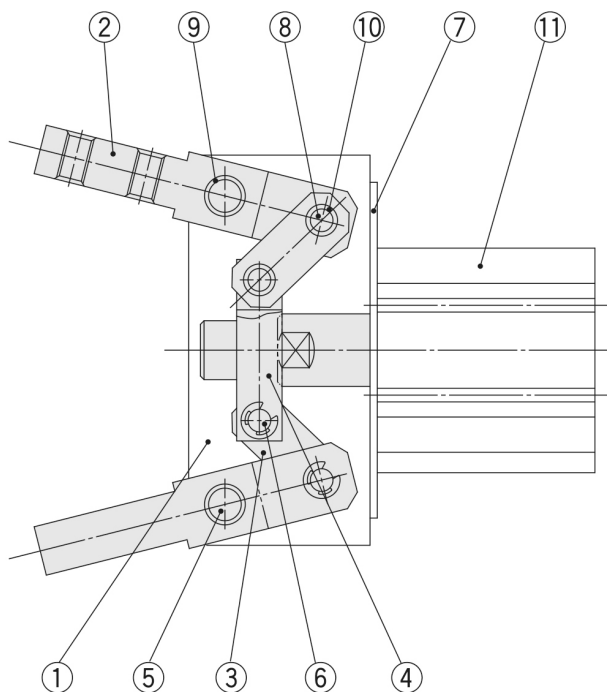
Standard specifications

Bore Size	40mm
Thread Type	TF (G)
Auto Switch	No Switch
Lead Wire or Prewired Connector	0.5m (Or None in the Case of No Switch)
Number	2 pcs. (Or None in the Case of No Switch)
Maximum operating pressure	0.6 MPa
Minimum operating pressure	0.1 MPa
Maximum ambient temperature	60 °C
Minimum ambient temperature	5 °C
Applicable fluid	Air
Lubrication	Non lube
Action	Double acting
Arm opening angle	23 ~ 27
Holding moment (effective value)	36 N m
Weight	1.070 Kg

Dimensions



Constructions



Component Parts

No.	Description	Material	Note
1	Side plate	Aluminium alloy	Hard anodised
2	Finger	Carbon steel	Black zinc chromated
3	Lever	Carbon steel	Black zinc chromated
4	Joint	Carbon steel	Black zinc chromated
5	Shaft	Stainless steel	
6	Joint pin	Stainless steel	
7	Cylinder plate	Soft steel	Black zinc chromated
8	Lever pin	Stainless steel	
9	Bearing		Steel lined oil imfilled acetal resin bearing
10	Bearing		Steel lined oil imfilled acetal resin bearing
11	Cylinder		Compact cylinder

Additional information

Catalogue

[MHT2-Z_EU.pdf](#)