



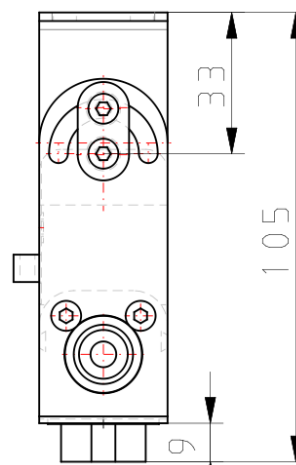
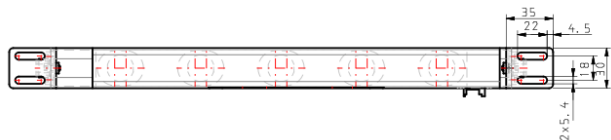
IZS40/41/42, Ionizer IZS40-1120-06B

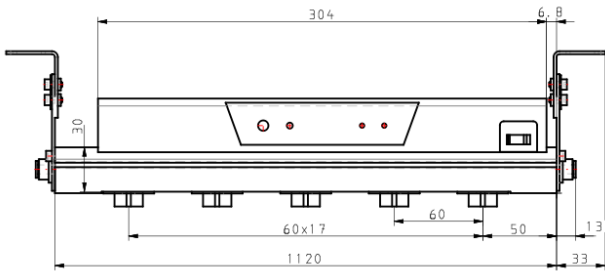
Datasheet

We are delighted to unveil a trio of new ionizers in our IZS Series that are responding to customer demand for faster and more efficient static charge neutralising solutions. All three models feature the AC type ion discharge, with the most basic model capable of deionizing in just 3.2 seconds at 1,000mm with a simple ON/OFF function. The high speed model rapidly removes static electricity with its feedback sensor and selectable energy saving or continuous neutralization run modes makes it flexible too. Alternatively, the dual AC type model reduces both the potential amplitude by 25V or less and the amount of ion given to the work-piece, allowing for close installation in the electronic device and semiconductor industry. This series incorporates two auto balance sensors, one within the body of the ionizer as standard and an optional high accuracy external sensor. A wireless remote control allows operators to adjust and set up to 16 ionizers remotely from 5m away as well as easy and quick serial wiring thanks to link cable connectors, joining up to eight units. The IZS ionizers are suitable for several applications within a range of industries such as PET bottle manufacturing, parts feeders, resin and rubber moulding, food and beverage packaging, film and paper manufacturing and wafer transfers, delivering safer manufacturing processes, reducing production mistakes and the derivative non-quality costs.

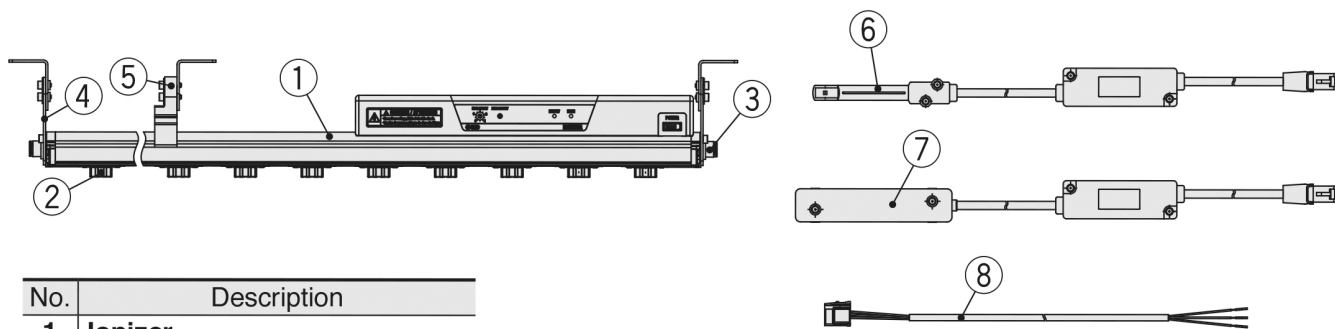
Type	40 (Standard type)
Bar Length	1120mm
Electrode Needle Material	High speed de-ionizing cartridge (Tungsten)
Output	NPN (or none for type 40)
Power Supply Cable	3m
One-touch fitting	06
Bracket	B (With bracket)
Sensor	Built-in Sensor
Option	None
Maximum operating pressure	0.5 MPa or less
Proof pressure	0.7 MPa
Maximum ambient temperature	40 °C
Minimum ambient temperature	0 °C
Conform to the European RoHS Directive	Conform
Approvals	CE
Power supply	24 VDC \pm 10%
Current consumption	330 mA or less
Material	Body cover: ABS, Emitter cartridge: PBT, Emitter: Tungsten, Single crystal silicon
Applicable fluid	Air (Clean dry air)
Ion generation method	Corona discharge type
Method of applying voltage	AC, DC
Applied voltage	\pm 7000 V
Ambient humidity	35 to 80% RH (No condensation)
Offset voltage	Within \pm 30 V
Effective static neutralization distance	50 to 2000 mm
Weight	1.396 Kg

Dimensions





Constructions



No.	Description
1	Ionizer
2	Emitter cartridge
3	One-touch fitting
4	End bracket
5	Intermediate bracket
6	Feedback sensor
7	Auto balance sensor [High accuracy type]
8	Power supply cable (for IZS40)

Additional information

Catalogue	IZS40_41_42-C_EU.pdf
Declaration of conformity	newDoC_IZS4_TF1V243EN.pdf DoC_IZS4x_TDQ0038.pdf
Installation manuals	IMM_IZS4x_SMW29EN-A.pdf
Operation manuals	OM_IZx-OMT0049EN.pdf OM_IZS4x_OMP0064EN-D.pdf