

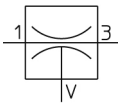


## ZU\*A, In-line Type Vacuum Ejector ZU05LA

### Datasheet

### General series information

- Maximum flow rate: 16 l/min (ANR).
- Maximum vacuum pressure: -90 kPa.
- Nozzle diameters: 0.3, 0.4, 0.5 and 0.7 mm.
- Dimensions: Overall length 47 to 59 mm. Ø 8.2 to 10.4 mm.
- Weight: 2.4 to 4.3 g.

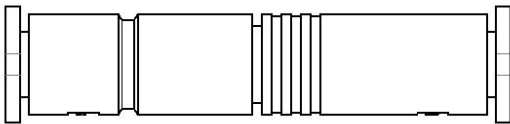
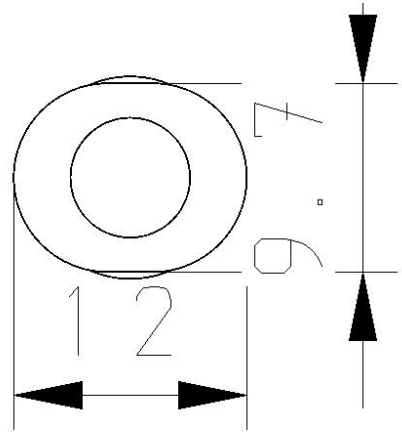
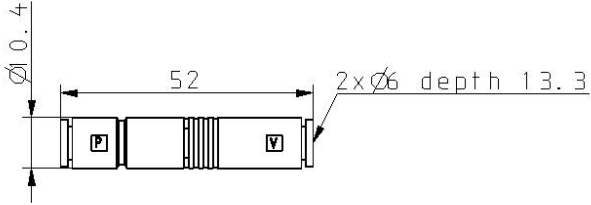


Vacuum ejector

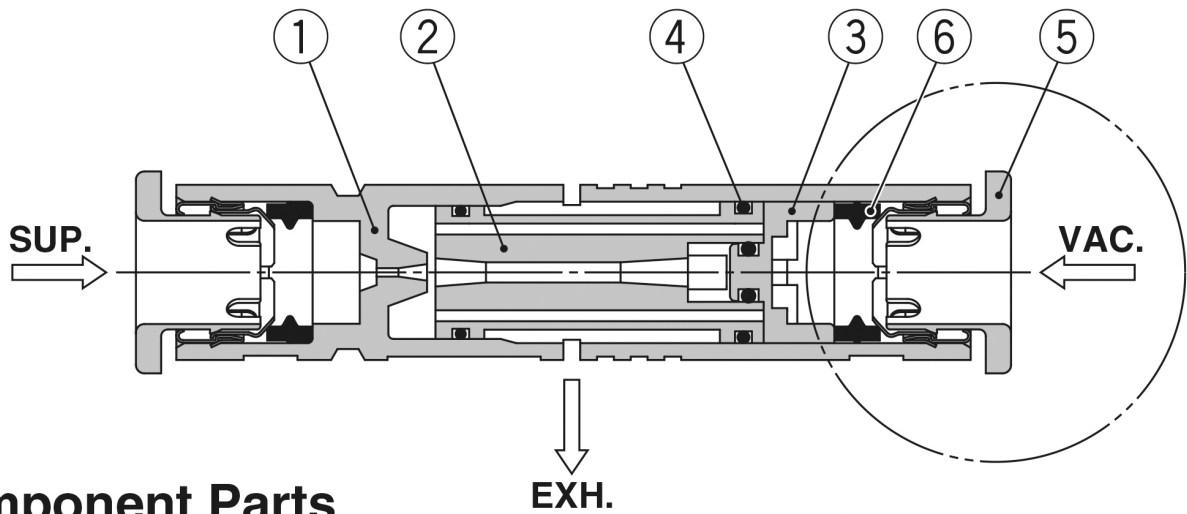
### Standard specifications

Nozzle Diameter	05 (0.5mm)
Vacuum Pressure	L (-48 kPa)
Port Size	ø4 One-touch Fitting (ZU03, ZU04), ø6 One-touch Fitting (ZU05, ZU07)
Usable tubing material	FEP, PFA, Nylon, Soft nylon, Polyurethane
Standard supply pressure	0.45 MPa
Air consumption	14 l/min (ANR)
Maximum suction flow rate	7 l/min (ANR)
Operating temperature range	-5 to 50 °C (no freezing)
Fluid	Air
Pressure range	0.1 to 0.6 MPa
Weight	0.004 Kg

# Dimensions



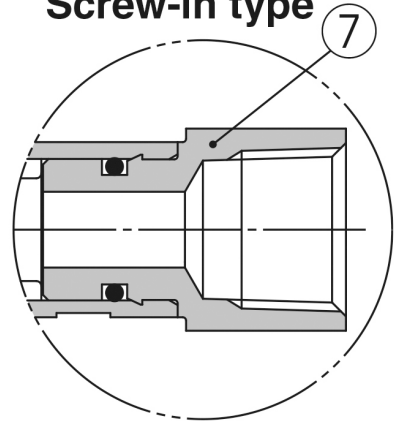
## Constructions



### Component Parts

No.	Description	Material	Note
1	<b>Body</b>	Resin	
2	<b>Diffuser</b>	Resin	Type S: White, Type L: Black
3	<b>Cap</b>	Resin	
4	<b>O-ring</b>	NBR	Grease applied
5	<b>Cassette</b>	—	
6	<b>Seal</b>	NBR	Grease applied
7	<b>Screw-in stud</b>	Brass	Electroless nickel plating

### Screw-in type



## Additional information

Catalogue

[ZU\\_A-B\\_EU.pdf](#)