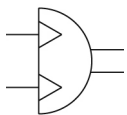


## MSQ\*10~200, Rotary Table, Rack & Pinion, Basic & High Precision MSQB100A-XF

### Datasheet

The MSQ compact rotary table is ideal for material transfer applications. It incorporates load bearings and a mounting face with a rack-and-pinion style rotary actuator. The seven sizes are 10, 20, 30, 50, 70, 100, and 200 with rotational adjustments from 0-190 degrees, and auto switch capability. Additional features include a hollow shaft and direct load mounting possibility. MSQX low speed rotary table is also available.



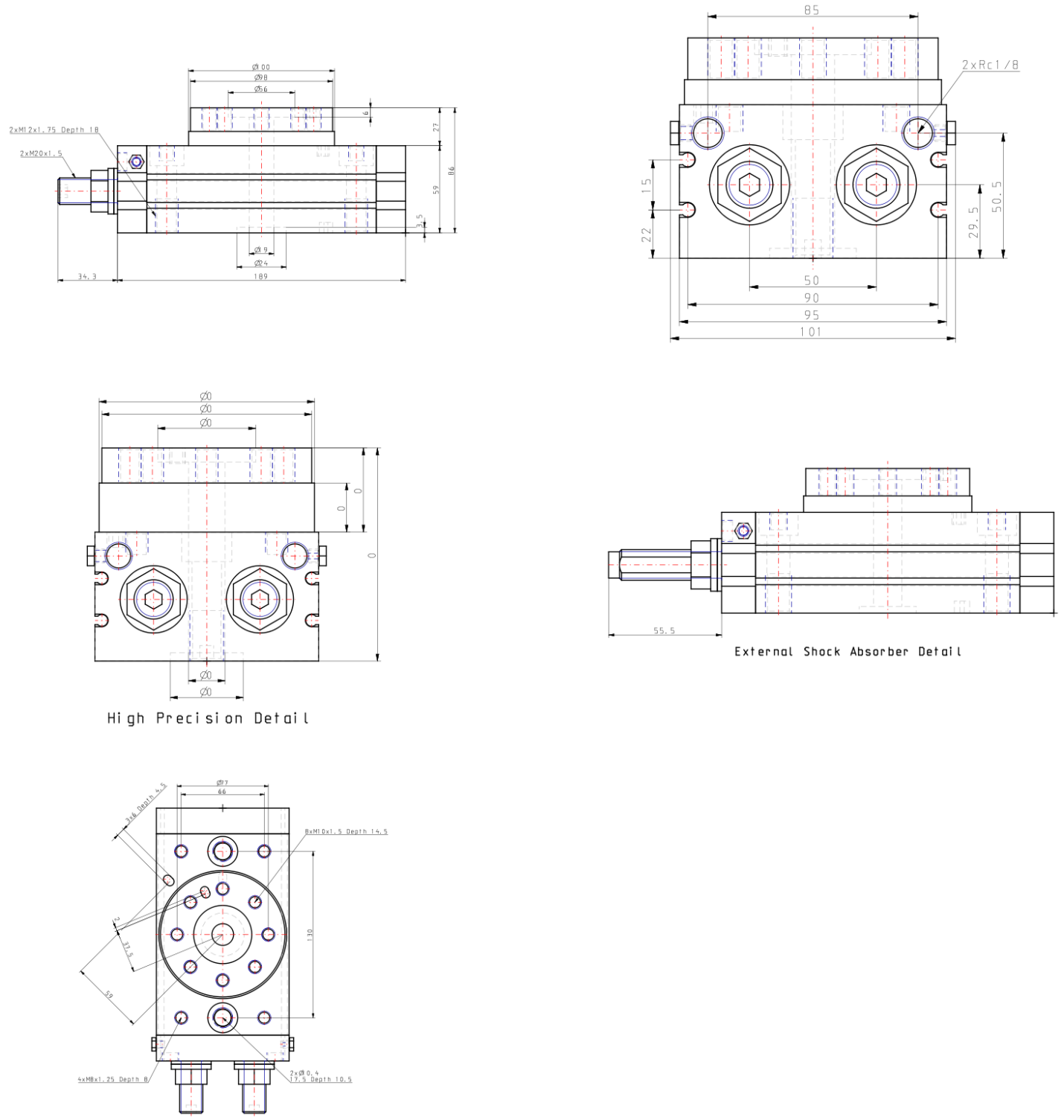
*Semi-rotary actuator, double acting*

### Standard specifications

Clean Series	None
Model	MSQ
Precision	B (Basic)
Size	100
Suffix	A (Adjuster Bolt)
Auto Switch	No Switch
Lead Wire or Prewired Connector	0.5m [Or None in the Case of No Switch]
Number	2 pcs. [Or None in the Case of No Switch]
Thread Type	XF (G 1/8)
Pressure medium	Compressed air (non-lube)
Maximum temperature of pressure medium	60 °C
Minimum temperature of pressure medium	0 °C
Maximum operating pressure	1.0 Mpa
Minimum operating pressure	0.1 MPa
Maximum ambient temperature	60 °C
Minimum ambient temperature	0 °C
Number of pneumatic connections	4 pcs.
Pneumatic input connection	R 1/8
Mode of operation of drive	Double acting
Type of cushioning	Rubber bumper

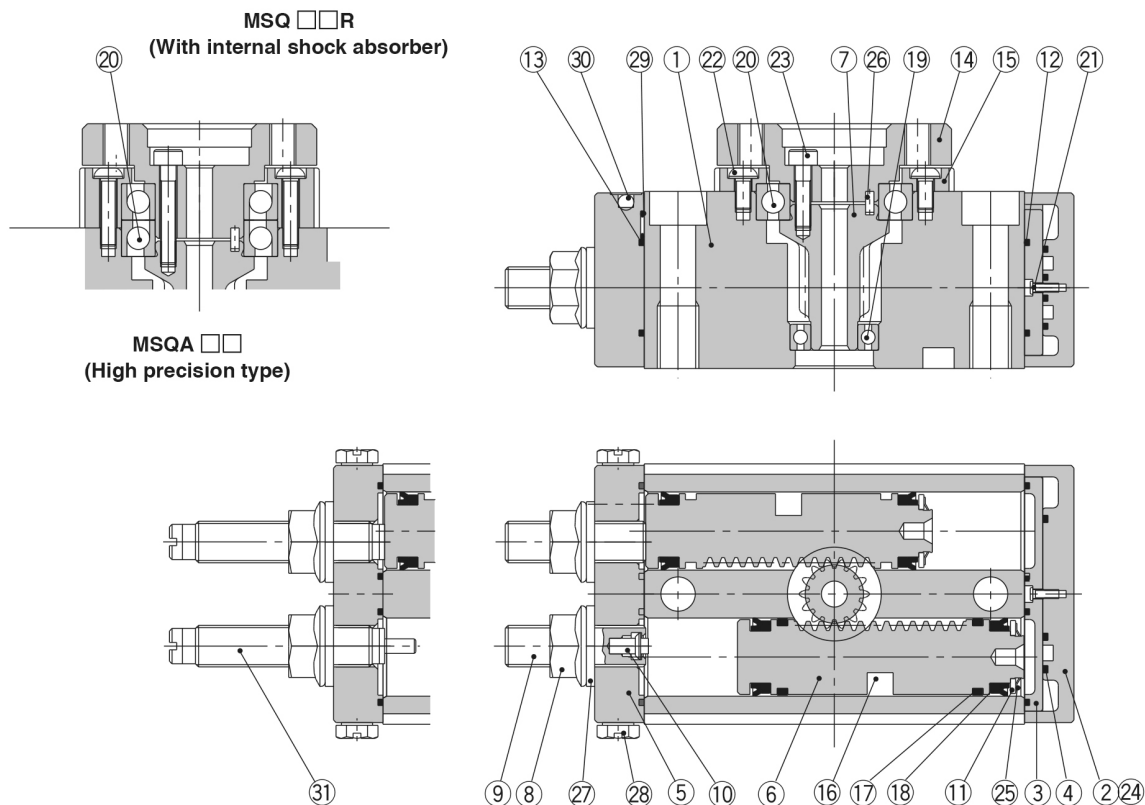
-	0° to 190°
Weight	4.800 Kg

## Dimensions



Specifications are subject to change without prior notice and any obligation on the part of the manufacturer.

# Constructions



## Parts list

No.	Description	Material
1	Body	Aluminium alloy
2	Cover	Aluminium alloy
3	Plate	Aluminium alloy
4	Seal	NBR
5	End cover	Aluminium alloy
6	Piston	Stainless steel
7	Pinion	Chrome molybdenum steel
8	Hexagon nut with flange	Steel wire
	Hexagon nut	
9	Adjustment bolt	Chrome molybdenum steel
10	Cushion pad	Rubber material
11	Seal retainer	Aluminium alloy
12	Gasket	NBR
13	Gasket	NBR
14	Table	Aluminium alloy
15	Bearing retainer	Aluminium alloy
16	Magnet	Magnetic material
17	Wear ring	Resin
18	Piston seal	NBR

No.	Description	Material
19	Deep groove ball bearing	Bearing steel
	Needle bearing	
20	Deep groove ball bearing	Bearing steel
	Angular contact ball bearing	
21	Round head philips screw No.0	Steel wire
22	Round head philips screw	Stainless steel
	Low head cap screw	
23	Hexagon socket head set bolt	Stainless steel
	Hexagon socket head set bolt	
24	Hexagon socket head set bolt	Carbon steel
	CS type snap ring	
25	Parallel pin	Carbon steel
	Parallel key	
26	Seal washer	NBR
27	Plug	Brass
28	O-ring	NBR
29	Steel balls	Stainless steel
30	Shock absorber	—

## Replacement parts

Description	Kit no.							Note
	10	20	30	50	70	100	200	
Seal kit	KT-MSQ10	KT-MSQ20	KT-MSQ30	KT-MSQ50	KT-MSQ70	KT-MSQ100	KT-MSQ200	A set of above numbers ④, ⑫, ⑬, ⑰, ⑱ and ⑳

## Additional information

Catalogue

[MSQ\\_EU.pdf](#)