

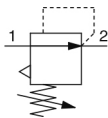
ARM10F, Single Regulator, Front Handle Type

ARM10F2-70GPC-3Z

Datasheet

General series information

- Manifold regulator, front handle type
- IN/OUT fitting type: straight & elbow (metric & inch)
- IN/OUT piping position: bottom, top
- Accessories: bracket, pressure gauge, panel nut, cover
- Options: 0.35MPa setting, non-relieving, oil free

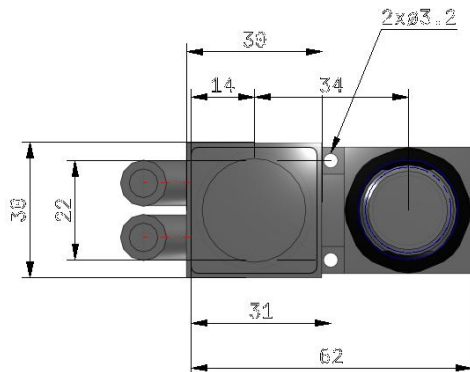
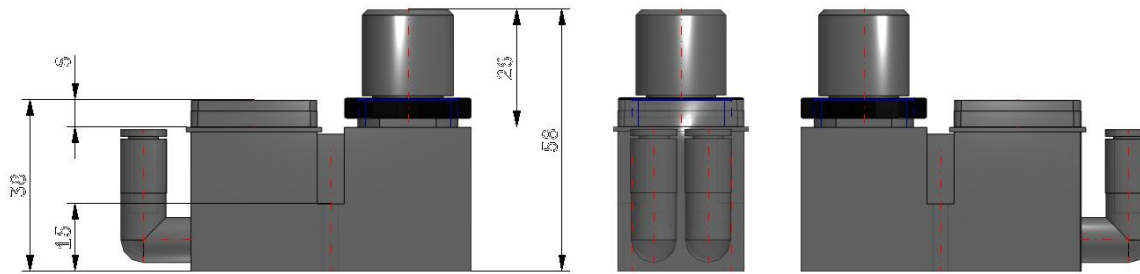
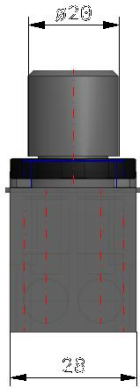
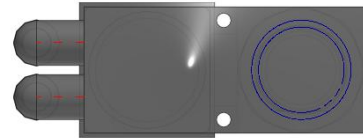


Pressure control valve, relieving pressure regulator, adjustable

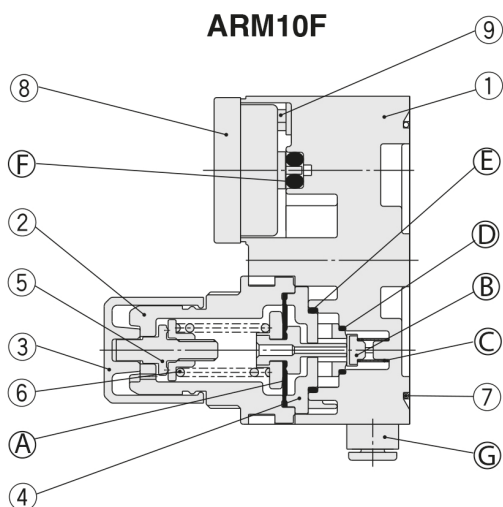
Standard specifications

Piping	2 (IN:Top/OUT:Top)
Fitting	70 (IN/OUT: 1/4 Elbow)
Accessory	GPC (G + P + Decorative Sheet)
Option	3 (Degreased Type)
Unit	Z (Name Plate, Pressure Gauge PSI)
Digital Pressure Switch Output Specifications	None
Maximum operating pressure	1.0 MPa
Proof pressure	1.5 MPa
Set pressure range	0.05 - 0.7 MPa
Fluid	Air
Regulator construction	Direct acting
Working principle	Diaphragm regulator
Relief mechanism	Relief type
Backflow function	Within (unbalance type)
Ambient and fluid temperature	5 - 60 °C
Weight	0.090 Kg

Dimensions



Constructions



Component Parts

No.	Description	Material
1	Body	PBT
2	Bonnet	PBT
3	Handle	POM
4	Valve seat	POM
5	Adjusting screw assembly	Reinforced steel
6	Adjustment spring	Steel wire
7	Regulator clip	Stainless steel
8	Blanking plate assembly	—
9	Square nut	Steel

No.	Description	Material	Note	
A	Diaphragm assembly	Weatherproof NBR, POM	Relieving type	
			Non-relieving type	
B	Valve	HNBR, Aluminum alloy		
C	Valve spring	Stainless steel		
D	O-ring	NBR	Standard model	
			HNBR	Oil-free specification
E	O-ring	NBR	Standard model	
			HNBR	Oil-free specification
F	O-ring	NBR	Standard model	
			HNBR	Oil-free specification
			NBR	Standard model for digital pressure switch
			HNBR	Oil-free spec. for digital pressure switch
G	Fitting assembly	—		

Additional information

Catalogue	ARM10-11_EU.pdf
Operation manuals	arm10_11_op_man_ar_-omg0039-a.pdf