

## Standard - MHZ2 MHZ2-25C

### Datasheet

### General series information

- Maximum gripping force per finger 43.5 N at 0.5 MPa
- Double acting and single acting
- Repeatability:  $\pm 0.01$ mm
- Max. operating frequency: 180 c.p.m.



*Gripper, normally closed, single-acting with permanent magnet on piston*

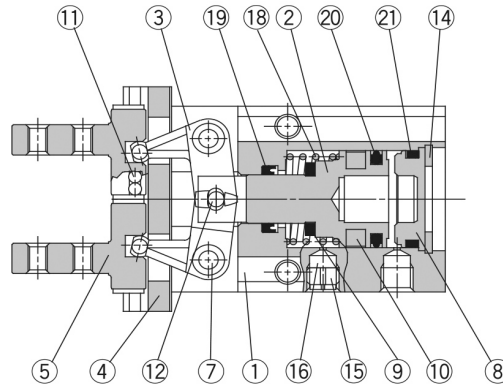
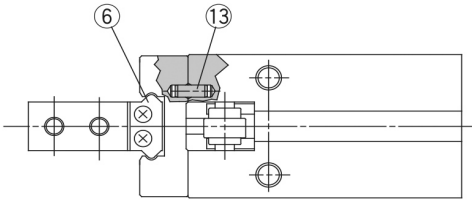
### Standard specifications

Bore Size	25mm
Action	C (Single Acting N.C.)
Finger Position	Standard
Body Option	Basic
Auto Switch	No Switch
Lead Wire or Prewired Connector	0.5m (Or None in the Case of No Switch)
Number	2 pcs. (Or None in the Case of No Switch)
Pressure medium	Air
Maximum temperature of pressure medium	60 °C
Minimum temperature of pressure medium	-10 °C (No freezing)
Maximum operating pressure	0.7 MPa
Minimum operating pressure	0.25 MPa
Maximum ambient temperature	60 °C
Minimum ambient temperature	-10 °C (No freezing)
Pneumatic input connection	M5
Pneumatic exhaust connection	M5
Repeatability	$\pm 0.01$ mm
Lubrication	Non-lube
Type of gripper	Parallel

Number of pneumatic connections	1
Effective holding force per finger, internal (0.5 MPa)	83 N
Number of fingers	2
Mode of operation	Single acting, normally closed
Maximum operating frequency	180 c.p.m.
Opening / closing stroke (both sides)	14 mm
Weight	0.430 Kg



## Constructions



### Parts list

No.	Description	Material	Note
1	<b>Body</b>	Aluminum alloy	Hard anodized
2	<b>Piston</b>	ø10, ø16: Stainless steel ø20 to ø40: Aluminum alloy	ø20 to ø40: Hard anodized
3	<b>Lever</b>	Stainless steel	Heat treated
4	<b>Guide</b>	Stainless steel	Heat treated
5	<b>Finger</b>	Stainless steel	Heat treated
6	<b>Roller stopper</b>	Stainless steel	
7	<b>Lever shaft</b>	Stainless steel	Nitrided
8	<b>Cap</b>	ø10 to ø25: Synthetic resin ø32, ø40: Aluminum alloy	ø32, ø40: Clear anodized
9	<b>Bumper</b>	Urethane rubber	
10	<b>Rubber magnet</b>	Synthetic rubber	

### Parts list

No.	Description	Material	Note
11	<b>Steel balls</b>	High carbon chromium bearing steel	
12	<b>Needle roller</b>	High carbon chromium bearing steel	
13	<b>Parallel pin</b>	Stainless steel	
14	<b>C type snap ring</b>	Carbon steel	Nickel plated
15	<b>Exhaust plug A</b>	Brass	Electroless nickel plated
16	<b>Exhaust filter A</b>	Polyvinyl formal	
17	<b>N.O. spring</b>	Stainless steel spring wire	
19	<b>Rod seal</b>	NBR	
20	<b>Piston seal</b>	NBR	
21	<b>Gasket</b>	NBR	

## Additional information

Catalogue

[MHZ\\_EU.pdf](#)

Operation manuals

[OM\\_MHZ2\\_OMD0047EN-A.pdf](#)