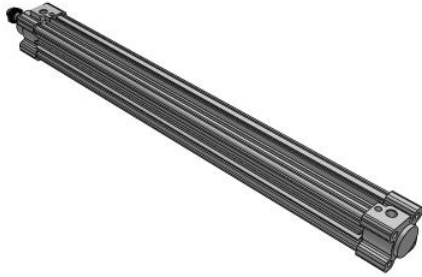


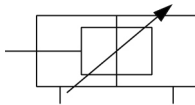
# CP96S(D), ISO 15552 Cylinder, Double Acting, Single/Double Rod with Air cushion on both ends and Bumper cushion CP96SDB32-400C

Datasheet



## General series information

- Double acting, standard type, single or double rod with Air cushion on both ends and Bumper cushion
- Bore sizes (mm): 32, 40, 50, 63, 80, 100
- Standard stroke up to 2000mm
- Auto switch capable



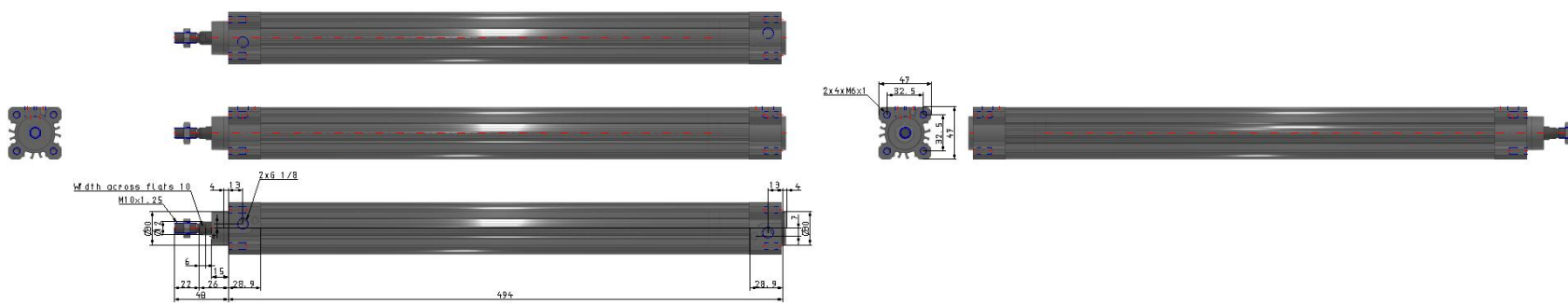
Double-acting cylinder with cushioning adjustable at both ends, single piston rod

## Standard specifications

|  |   |
|--|---|
| Magnet   | D (Built-in)                              |
| Mounting   | B (Basic)                                 |
| Bore Size  | Ø32 mm                                    |
| Stroke   | 400                                       |
| Rod Boot   | w/o Rod Boot                              |
| Rod  | Single Rod                                |
| Auto Switch  | No Switch                                 |
| Lead Wire or Prewired Connector                    | 0.5m [Or None in the Case of No Switch]   |
| Number   | 2 pcs. [Or None in the Case of No Switch] |
| Rod End Options                                    | None                                      |
| Temperature Resistance                             | None                                      |
| Heavy Duty Scraper                                 | None                                      |
| Tie Rod  | None                                      |
| Fluororubber Seal                                  | None                                      |
| Coil Scraper                                       | None                                      |
| Made of Stainless Steel (-XC68)                    | None                                      |
| Made of Stainless Steel (-XC65)                    | None                                      |
| Pressure medium                                    | Compressed air                            |
| Maximum temperature of pressure medium with magnet | 60 °C                                     |

|   |                      |
|---|----------------------|
| Minimum temperature of pressure medium with magnet      | -10 °C (no freezing) |
| Maximum operating pressure                              | 1.0 MPa              |
| Minimum operating pressure                              | 0.05 MPa             |
| Proof pressure  | 1.5 MPa              |
| Maximum ambient temperature with magnet                 | 60 °C                |
| Minimum ambient temperature with magnet                 | -10 °C (no freezing) |
| Number of pneumatic connections                         | 2 pcs.               |
| Pneumatic input connection                              | G 1/8                |
| Pneumatic exhaust connection                            | G 1/8                |
| Mode of operation of drive                              | Double acting        |
| Theoretical cylinder force, advance stroke (at 0.5 MPa) | 402 N                |
| Theoretical cylinder force, return stroke (at 0.5 MPa)  | 346 N                |
| Maximum piston speed                                    | 1,000 mm/s           |
| Piston rod end  | Male thread          |
| Male thread of rod end                                  | M10 x 1.25           |
| Minimum piston speed                                    | 50 mm/s              |
| Weight  | 1.580 Kg             |

# Dimensions



## Constructions



### Component Parts

| No. | Description          | Material           | Note         |
|-----|----------------------|--------------------|--------------|
| 1   | Rod cover            | Aluminium die-cast |              |
| 2   | Head cover           | Aluminium die-cast |              |
| 3   | Cylinder tube        | Aluminium alloy    |              |
| 4   | Piston rod           | Carbon steel       |              |
| 5   | Piston               | Aluminium alloy    | Ø 32 to Ø 63 |
|     |                      | Aluminium die-cast | Ø 80, Ø 100  |
| 6   | Cushion ring A       | Aluminium alloy    |              |
| 7   | Cushion ring B       | Aluminium alloy    |              |
| 8   | Cushion seal holder  | Aluminium alloy    |              |
| 9   | Tie-rod              | Carbon steel       |              |
| 10  | Tie-rod nut          | Steel              |              |
| 11  | Flat washer          | Steel              | Ø 80, Ø 100  |
| 12  | Rod end nut          | Steel              |              |
| 13  | Cushion valve        | Resin              |              |
| 14  | Bushing              | Bearing alloy      |              |
| 15  | Cushion seal         | Urethane           |              |
| 16  | Bumper               | Urethane           |              |
| 17  | Wear ring            | Resin              |              |
| 18  | Piston seal          | NBR                |              |
| 19  | Rod seal             | NBR                |              |
| 20  | Cylinder tube gasket | NBR                |              |
| 21  | Cushion valve seal   | NBR                |              |
| 22  | Magnet               |                    |              |

### Replacement Parts/Seal Kit (Single rod)

| Bore size [mm] | Kit no.  | Contents                            |
|----------------|----------|-------------------------------------|
| 32             | CS95-32  | Kits include items<br>15, 17 to 20. |
| 40             | CS95-40  |                                     |
| 50             | CS95-50  |                                     |
| 63             | CS95-63  |                                     |
| 80             | CS95-80  |                                     |
| 100            | CS96-100 |                                     |

### Seal Kit (Double rod)

| Bore size [mm] | Kit no.   | Contents                            |
|----------------|-----------|-------------------------------------|
| 32             | CS95W-32  | Kits include items<br>15, 18 to 20. |
| 40             | CS95W-40  |                                     |
| 50             | CS95W-50  |                                     |
| 63             | CS95W-63  |                                     |
| 80             | CS95W-80  |                                     |
| 100            | CS96W-100 |                                     |

## Additional information

Catalogue

[CP96-Bb\\_EU.pdf](#)

Operation manuals

[OM\\_CP96-C\\_OM0002QEN-A.pdf](#)