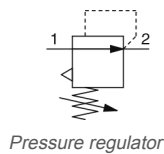


ARX20, Regulator for 2MPa ARX21-F01

Datasheet

General series information

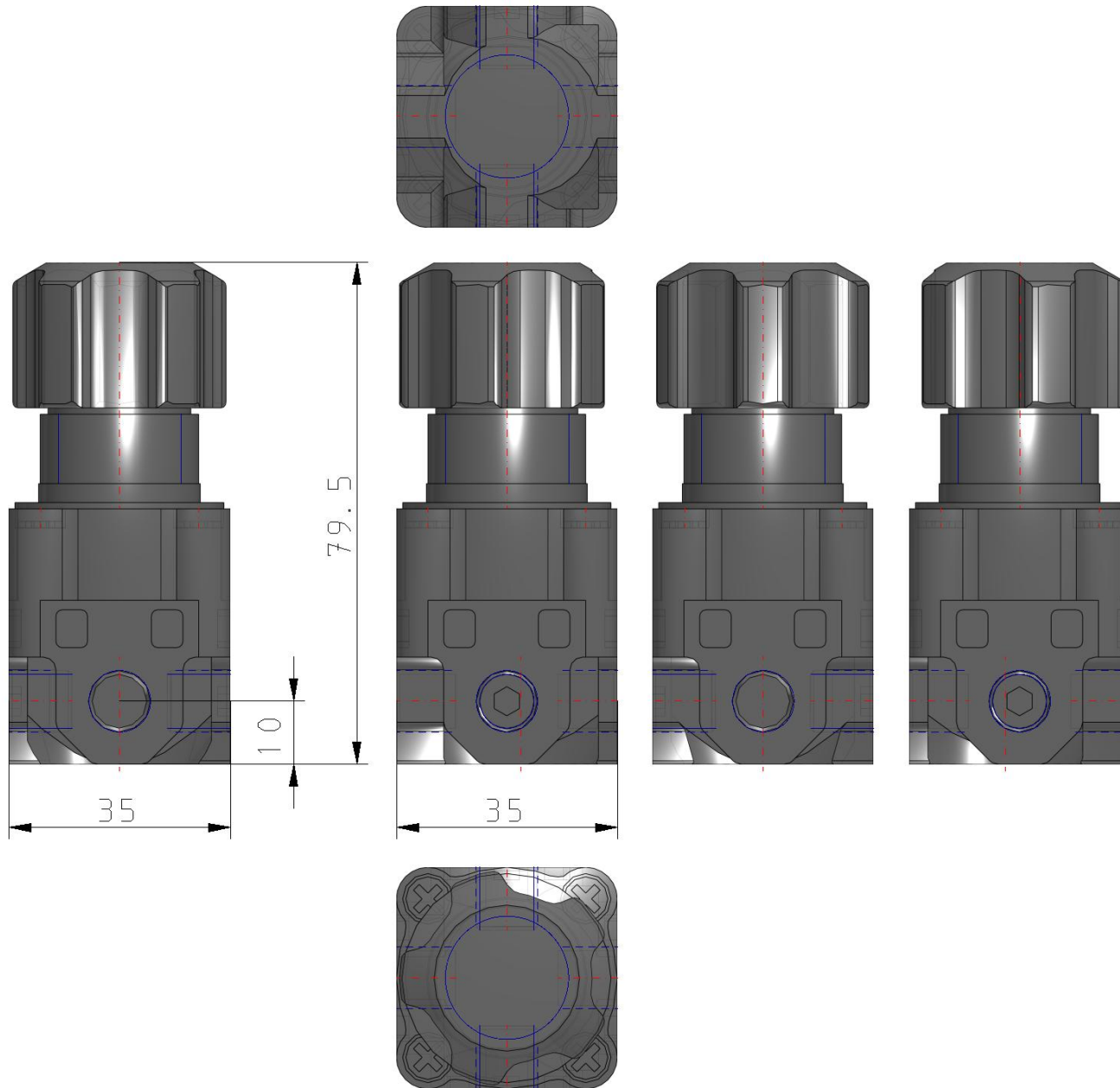
Series ARX20, piston type regulator, is compatible with a primary supply pressure of 2.0MPa and is ideal for pressure adjustment of air blowing applications. The ARX has a compact design with a width of 35mm and an overall length of 80mm. The piston operated design ensures long operating life. The ARX has an easy-to-operate adjustment handle.



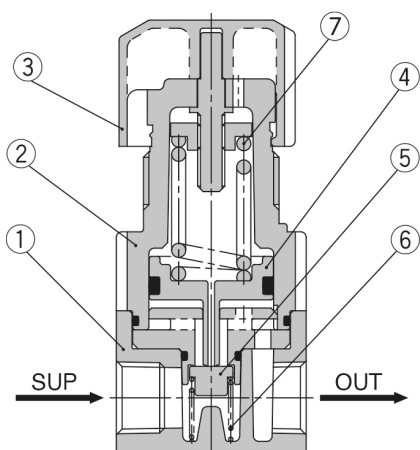
Standard specifications

| | |
|--|--------------------------|
| Pressure Range | 1 (0.05~0.30MPa) |
| Thread | F (G(PF)) |
| Port Size | 01 (1/8) |
| Option | None |
| Pressure medium | Air |
| Maximum temperature of pressure medium | 60 °C |
| Minimum temperature of pressure medium | -5 °C (with no freezing) |
| Maximum operating pressure | 2.0 MPa |
| Proof pressure | 3.0 MPa |
| Maximum ambient temperature | 60 °C |
| Minimum ambient temperature | -5 °C (with no freezing) |
| Conform to the European RoHS Directive | Conform |
| Approvals | No need |
| Weight | 0.110 Kg |

Dimensions



Constructions



Parts list

| No. | Description | Material | Note |
|-----|---------------|----------|------------------|
| 1 | Body | ADC | Chromate treated |
| 2 | Bonnet | POM | |
| 3 | Handle | POM | 1348102#1 |

Replacement parts list

| No. | Description | Material | Part No. |
|-----|-------------------------|-----------------|---|
| 4 | Piston assembly | POM/NBR | 1348104A |
| 5 | Valve | Brass/NBR | 1348114#1 |
| 6 | Valve spring | Stainless steel | 1348109 |
| 7 | Adjusting spring | Steel wire | 1348108 (For 0.85 MPa) 1348108-1 (For 0.3 MPa) |

Additional information

Catalogue

[ARX20-A_EU.pdf](#)

Operation manuals

[OM_ARX20_OMC0007EN.pdf](#)