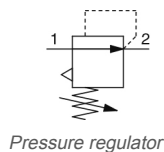


ARX20, Regulator for 2MPa ARX20-01

Datasheet

General series information

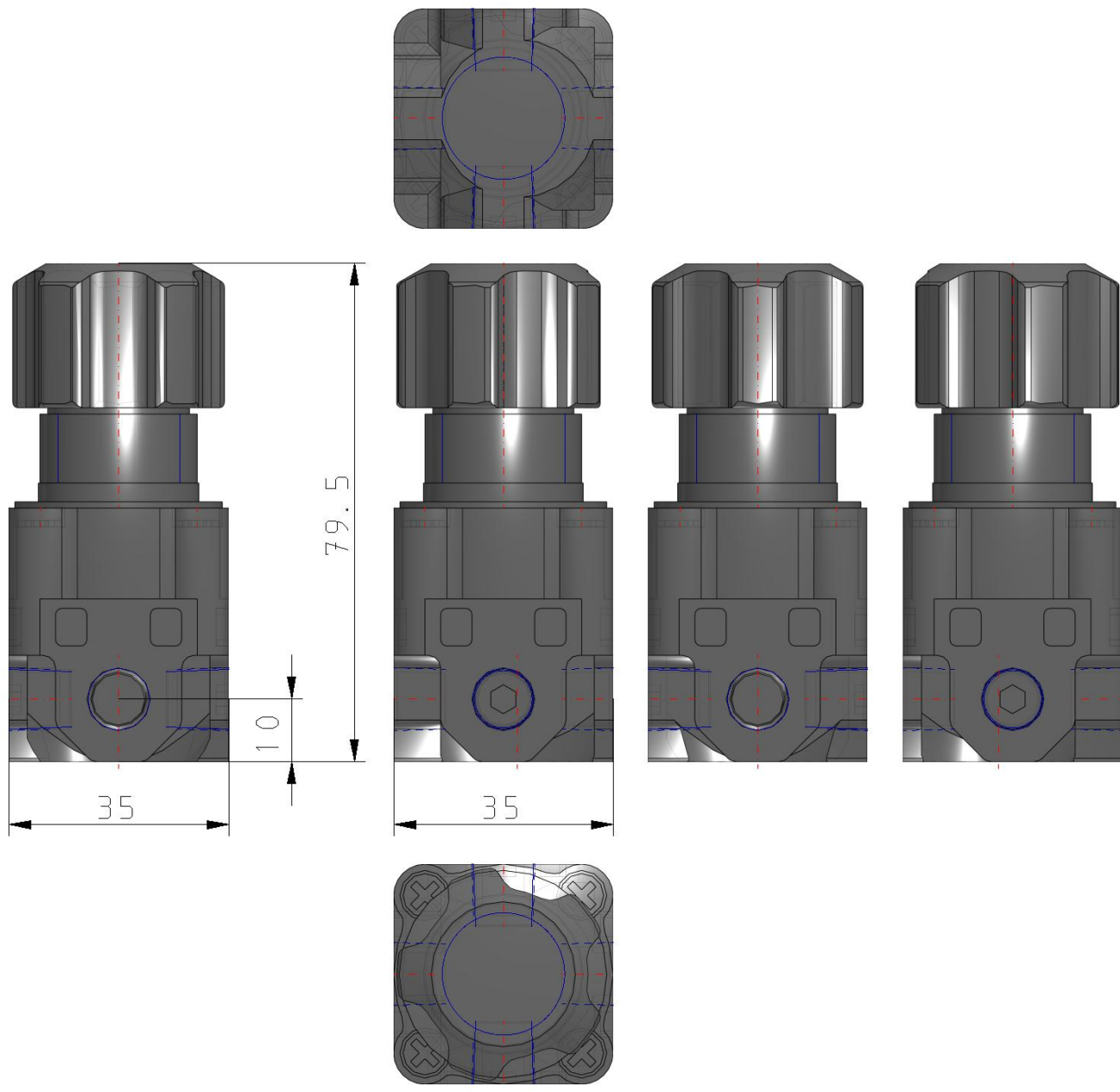
Series ARX20, piston type regulator, is compatible with a primary supply pressure of 2.0MPa and is ideal for pressure adjustment of air blowing applications. The ARX has a compact design with a width of 35mm and an overall length of 80mm. The piston operated design ensures long operating life. The ARX has an easy-to-operate adjustment handle.



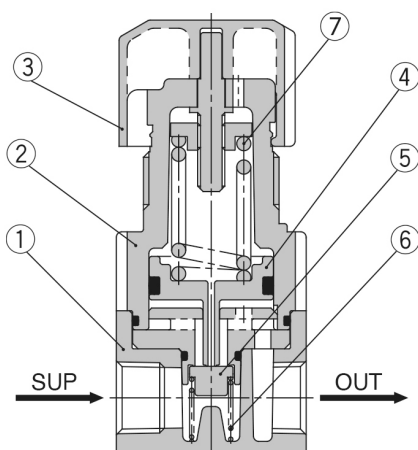
Standard specifications

Pressure Range	0 (0.05~0.85 MPa)
Thread	Rc(PT)
Port Size	01 (1/8)
Option	None
Pressure medium	Air
Maximum temperature of pressure medium	60 °C
Minimum temperature of pressure medium	-5 °C (with no freezing)
Maximum operating pressure	2.0 MPa
Proof pressure	3.0 MPa
Maximum ambient temperature	60 °C
Minimum ambient temperature	-5 °C (with no freezing)
Conform to the European RoHS Directive	Conform
Approvals	No need
Weight	0.113 Kg

Dimensions



Constructions



Parts list

No.	Description	Material	Note
1	Body	ADC	Chromate treated
2	Bonnet	POM	
3	Handle	POM	1348102#1

Replacement parts list

No.	Description	Material	Part No.
4	Piston assembly	POM/NBR	1348104A
5	Valve	Brass/NBR	1348114#1
6	Valve spring	Stainless steel	1348109
7	Adjusting spring	Steel wire	1348108 (For 0.85 MPa) 1348108-1 (For 0.3 MPa)

Additional information

Catalogue	ARX20-A_EU.pdf
Operation manuals	OM_ARX20_OMC0007EN.pdf