

AN (BC Sintered), Silencer, General Purpose, Metric AN110-01

Datasheet

General series information

- Fluid: compressed air
- Maximum operating pressure: 1.0MPa
- Noise reduction: 13-21 dB(A)
- Effective area mm² : 1-20
- Ambient & fluid temperature: 5 - 50° C

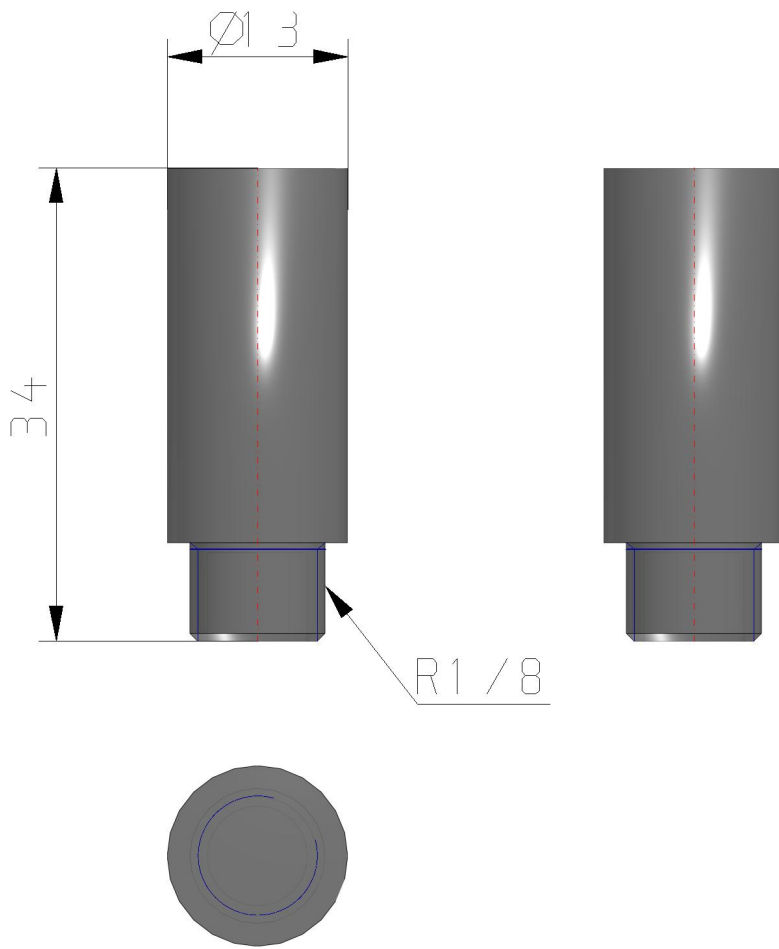


Silencer

Standard specifications

Size	10 (Exhaust: Circumference, Noise Reduction: 21 dB, Effective Area: 35 mm ²)
Port Size	01 (R1/8)
Pressure medium	Compressed Air
Maximum operating pressure	1.0 MPa
Maximum ambient temperature	50 °C
Minimum ambient temperature	5 °C
Noise reduction	16 dB
Effective Area	20 mm ²
Weight	0.017 Kg

Dimensions



Additional information

Catalogue

[AN_EU.pdf](#)