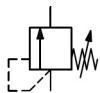


## IR1000~3000, Precision Regulator IR1010-01

### Datasheet

Series IR Precision Regulators are designed to be compact and light weight. The maximum set pressure has been expanded from the conventional 0.7MPa to 0.8MPa. Relief flow has been increased by nearly 5 times (compared to SMC IR201, IR401). The optional bracket and pressure gauge can be mounted on either the front or back of the unit.



*Pressure control valve, relieving pressure regulator, adjustable*

### Standard specifications

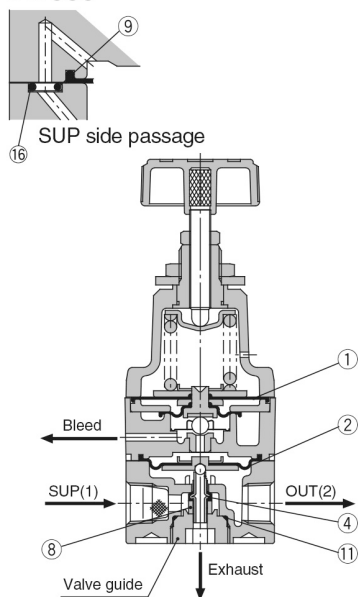
Body Size	1 (IR1000)
Type of Setting	0 (Basic [Handle])
Set Pressure	1 (0.01~0.4MPa [IR1000/2000] or 0.01~0.4MPa [IR3000])
Thread	Rc(PT)
Port Size	01 (1/8 [IR1000 Only])
Accessory	None
Suffix 1	Standard
Suffix 2	None
Made to Order	None
Switch Specifications	None
Pressure medium	Air
Maximum temperature of pressure medium	60 °C
Minimum temperature of pressure medium	-5 °C [with no freezing]
Maximum operating pressure	1.0 MPa
Minimum operating pressure	+0.05 Mpa
Maximum ambient temperature	60 °C
Maximum ambient temperature with magnet	-5 °C [with no freezing]
Conform to the European RoHS Directive	Conform
Approvals	No need
Sensitivity	Within 0.2% of full span
Repeatability	Within 0.5% of full span



## Constructions

### Construction

#### IR1000



#### Replacement Parts

No.	Description	Material	IR10□0	
			Part no.	Qty.
1	Diaphragm assembly	NBR, other	P362010-1	1
2	Diaphragm assembly	NBR, other	P362010-2	1
3	Diaphragm	NBR, other	—	—
4	Valve	Stainless steel, NBR	P36201058	1
5	Valve	Stainless steel, NBR	—	—
6	Valve	Brass, NBR	—	—
7	Valve	Brass, NBR	—	—
8	Damper	NBR, other	P36201021	1
9	O-ring	H-NBR	ø2.5 x 1.05	3
10	O-ring	NBR	—	—
11	O-ring	NBR	ø10 x 1.3	1
12	O-ring	NBR	—	—
13	O-ring	NBR	—	—
14	Seal (A)	NBR	—	—
15	Seal (B)	NBR	—	—
16	Fixed throttle	Stainless steel	P36202018	1
Repair kit no. (A set of above nos. ① to ⑮.)			KT-IR1000	

## Additional information

Catalogue

[IR1000-2000-3000-B\\_EU.pdf](#)